

PRO-LJ ARCHITECTURAL SHOP DRAWING

Date: _____

Page: _____ of _____

Drawing No.: _____

Architect/ Engineer: _____

Contractor: _____

Customer: _____

FULL LOAD AMP RATING CHART (AMPS)

VOLTAGE	1/2 HP
110V 1-Φ, 60 HZ	6.0
230V 1-Φ, 60 HZ	3.0
230V 1-Φ, 50 HZ	3.2
380V 1-Φ, 50 HZ	2.0

Number of Operators: _____

Horsepower: _____

Volts: _____

Phase: _____

Hertz: _____

Type of Door: _____

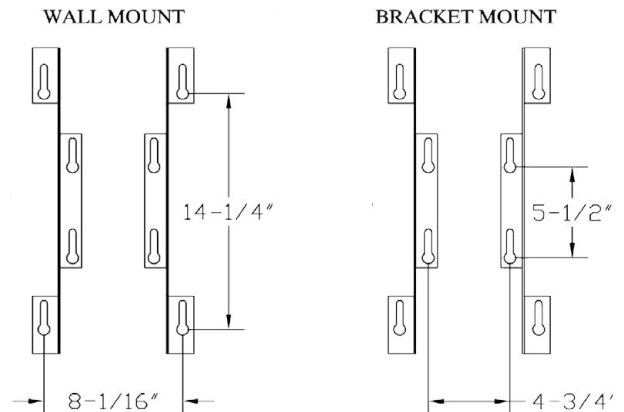
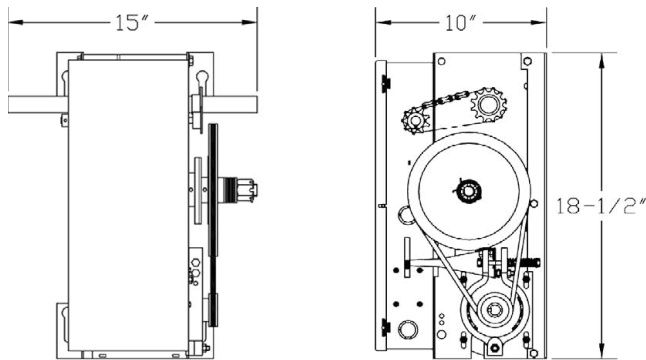
Door Width/ Height: _____ W x _____ H

Operator Nema Rating: _____

OPEN/ CLOSE/ STOP Control Stations: _____

Control Wiring Option: _____

- A** Relay Logic w/ interface module (monitored reversing device supplied)
- B** Relay Logic (not available in US or other areas where UL325 is mandated)



ADDITIONAL EQUIPMENT OR OPTIONS
