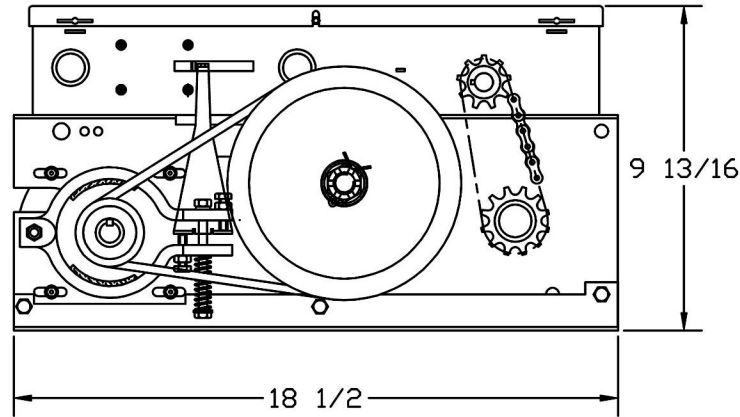
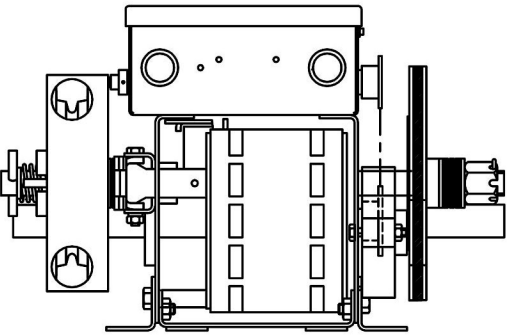
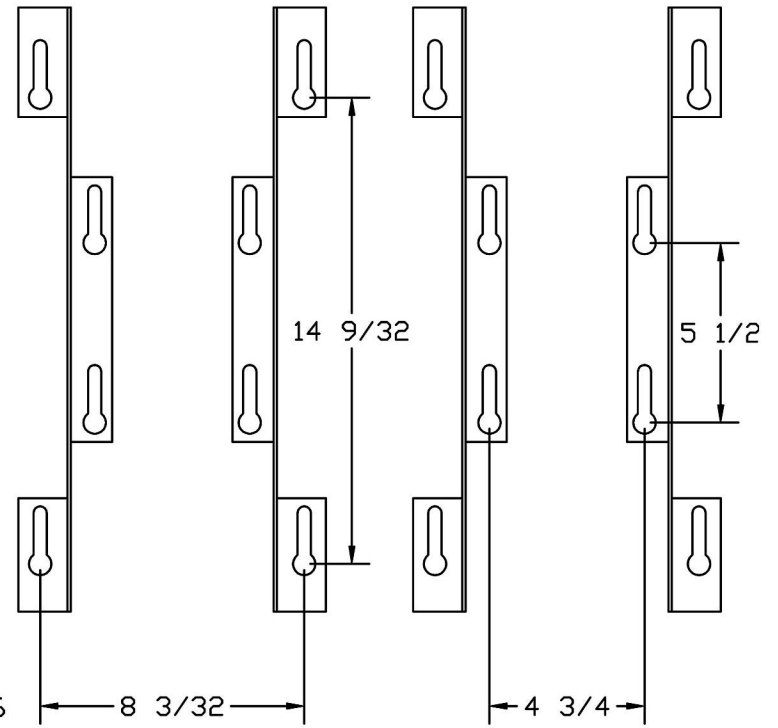


WALL MOUNT

BRACKET MOUNT



06.06.02	C.S.	D.J.	MICANAN SYSTEMS INC.	
DATE:	APPROVED:	DRAWN BY:		
UNLESS OTHERWISE SPECIFIED DIMENSIONS ARE IN INCHES TOLERANCES .XX=±.01 ANGLES=±30'			LIMITED DUTY OPERATOR PRO-LH	
REVISION:A			WEIGHT: 1lb	SIZE: B
			PAGE: 1/1	
			CAD FILE: 2D-PROLH-ME	SCALE: 1:4