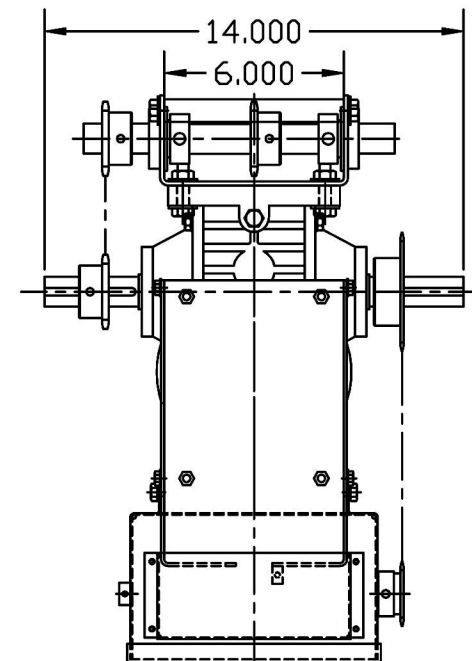
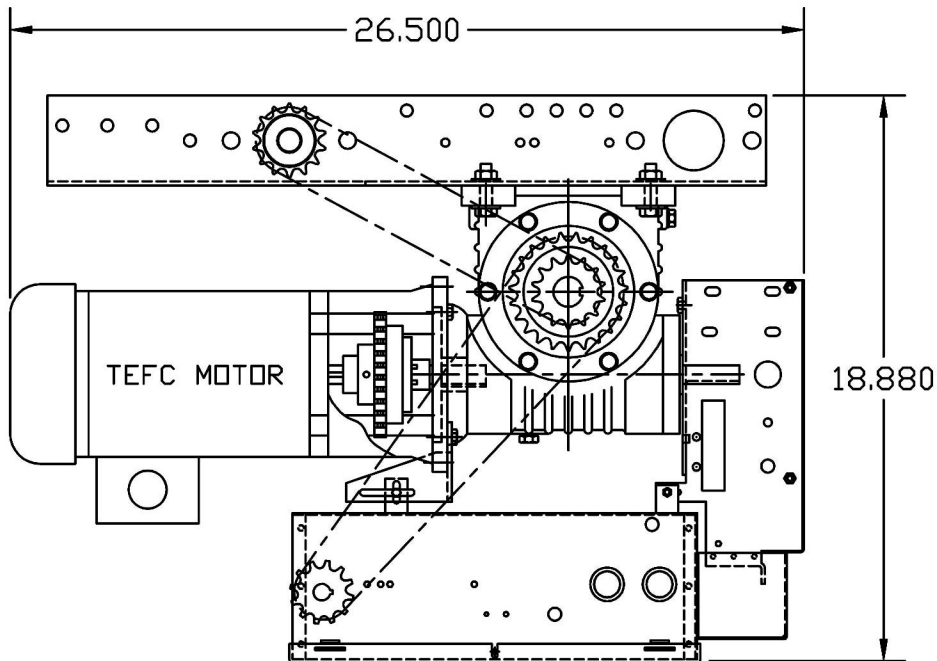
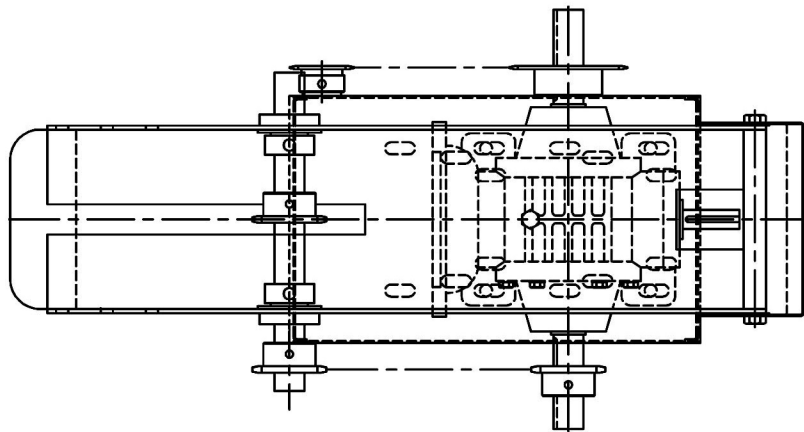
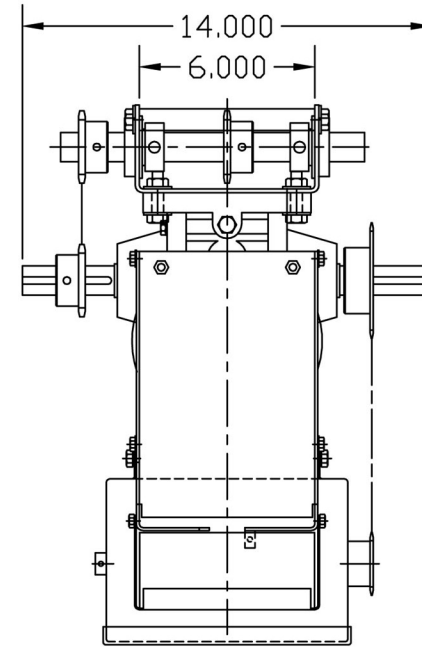
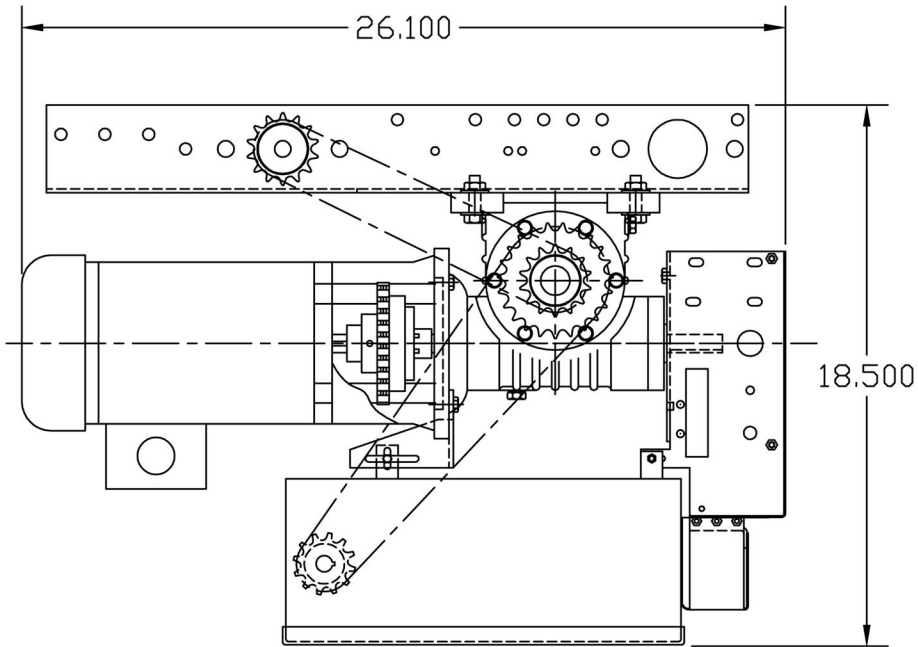
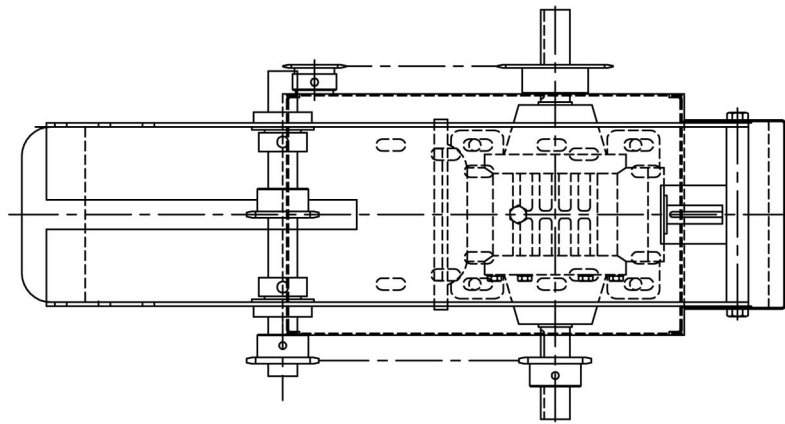


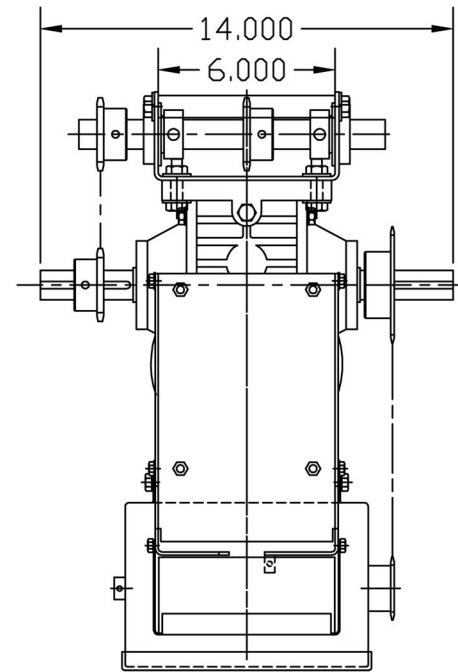
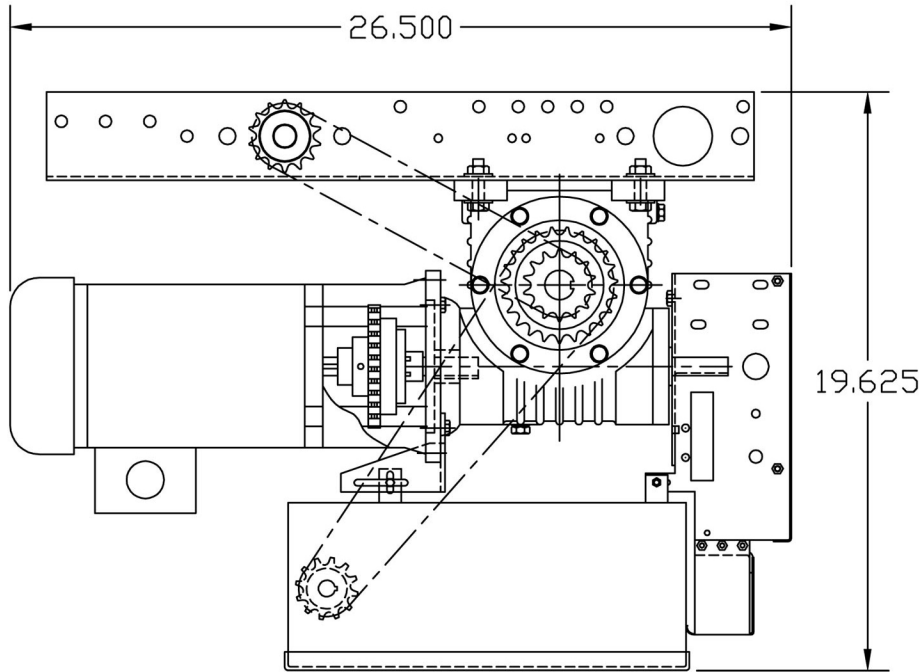
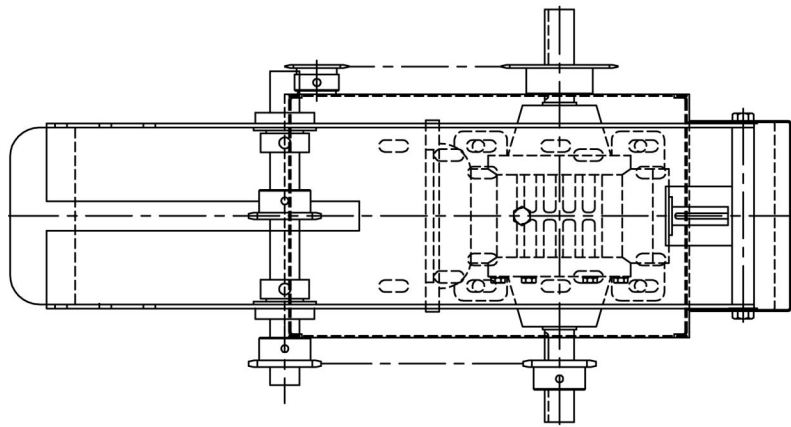
09.09.03	C.S.	D.J.	MICANAN SYSTEMS INC.	
DATE:	APPROVED:	DRAWN BY:		
UNLESS OTHERWISE SPECIFIED DIMENSIONS ARE IN INCHES TOLERANCES .XX=±.01 ANGLES=±30'			GEARHEAD TROLLEY OPERATOR PRO-GT R55	
REVISION:A			WEIGHT: 1b	SIZE: B
			CAD FILE: 2D-PROGT-R55-ME	PAGE: 1/1 SCALE: 1:5



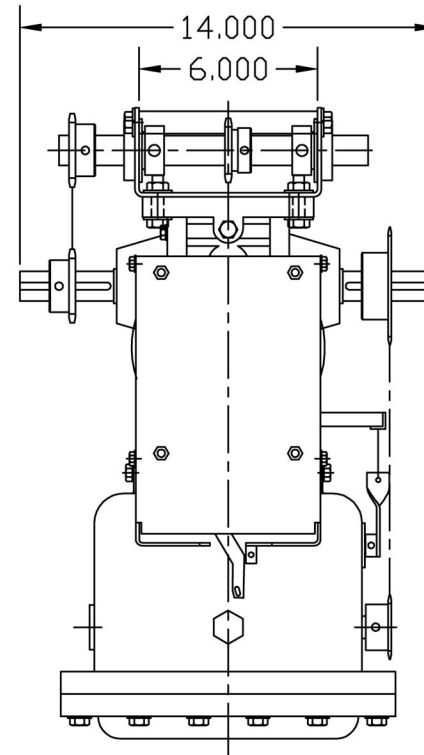
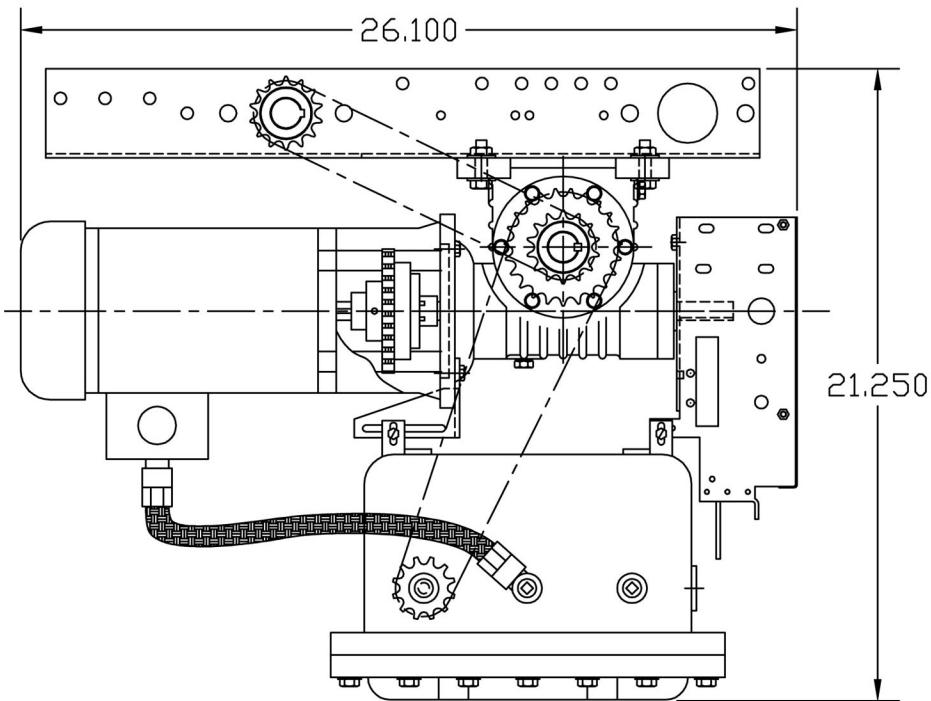
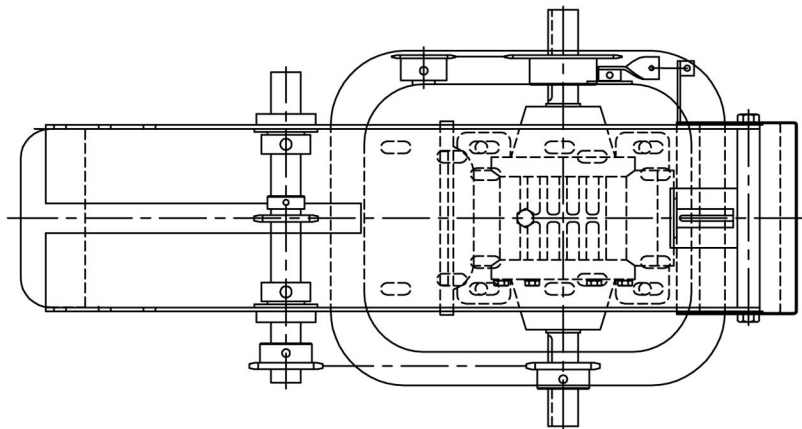
05.05.04	C.S.	D.J.	MICANAN SYSTEMS INC.	
DATE:	APPROVED:	DRAWN BY:		
UNLESS OTHERWISE SPECIFIED DIMENSIONS ARE IN INCHES TOLERANCES .XX=±.01 ANGLES=±30°			GEARHEAD TROLLEY OPERATOR PRO-GT R70	
REVISION:A			WEIGHT: 1lb	SIZE: B
			CAD FILE: 2D-PROGT-R70-ME	PAGE: 1/1 SCALE: 1:5



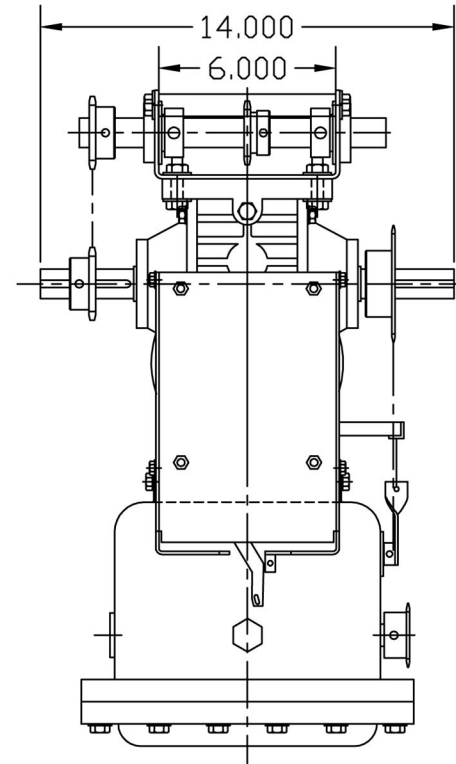
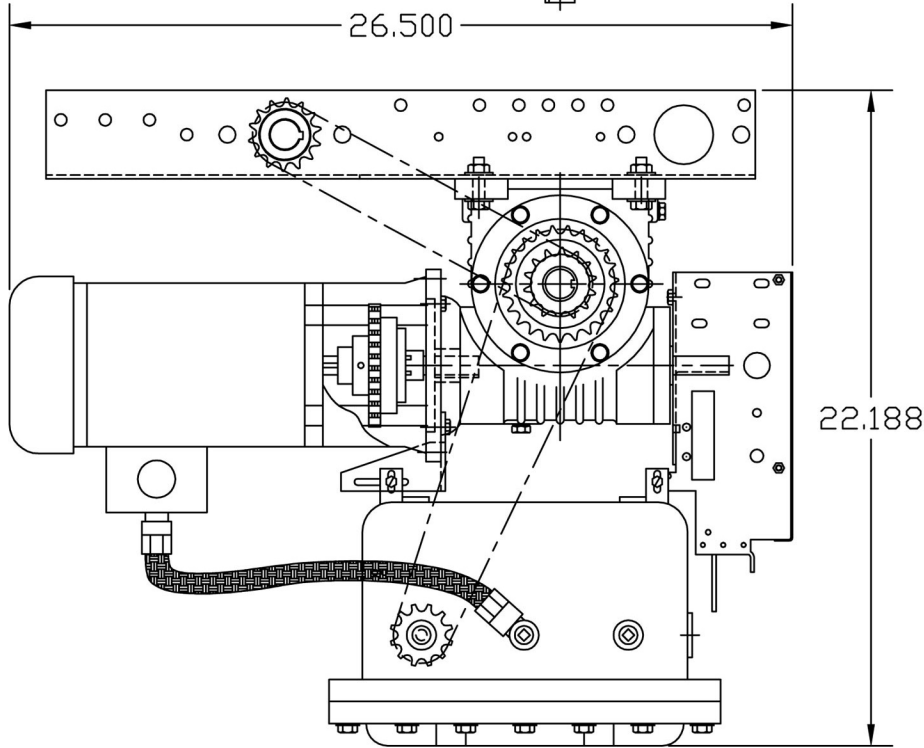
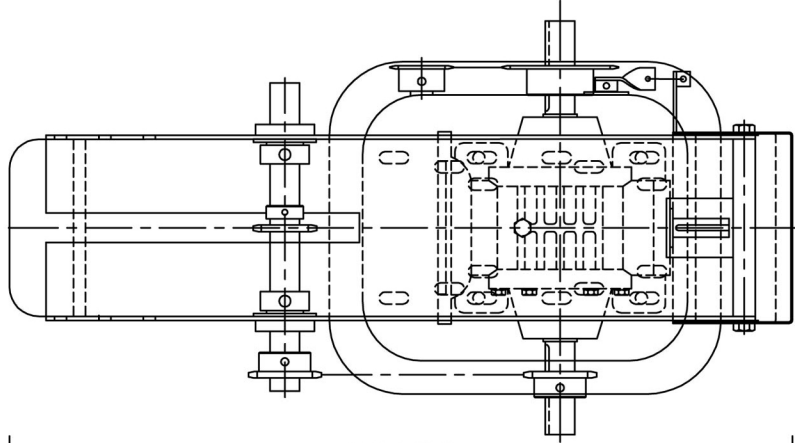
05.05.04	C.S.	D.J.	MICANAN SYSTEMS INC.	
DATE:	APPROVED:	DRAWN BY:		
UNLESS OTHERWISE SPECIFIED DIMENSIONS ARE IN INCHES TOLERANCES .XX=±.01 ANGLES=±30'			TITLE: GEARHEAD TROLLEY OPERATOR PRO-GTW R55 (N-4)	
REVISION:A			WEIGHT: 1b	SIZE: B
			CAD FILE: 2D-PROGTW-R55-ME-N4	PAGE: 1/1 SCALE: 1:5



05.05.04	C.S.	D.J.	MICANAN SYSTEMS INC.	
DATE:	APPROVED:	DRAWN BY:		
UNLESS OTHERWISE SPECIFIED DIMENSIONS ARE IN INCHES TOLERANCES .XX=±.01 ANGLES=±30'			GEARHEAD TROLLEY OPERATOR PRO-GTW R70 (N-4)	
REVISION:A			WEIGHT: 1b	SIZE: B
			CAD FILE: 2D-PROGTW-R70-ME-N4	PAGE: 1/1 SCALE: 1:5



05.05.04	C.S.	D.J.	MICANAN SYSTEMS INC.	
DATE:	APPROVED:	DRAWN BY:		
UNLESS OTHERWISE SPECIFIED DIMENSIONS ARE IN INCHES TOLERANCES .XX=±.01 ANGLES=±30'			GEARHEAD TROLLEY OPERATOR PRO-GTX R55 (N-7/9)	
REVISION:A			WEIGHT: 1b	SIZE: B
			CAD FILE: 2D-PRDGT-R55-ME-N7/9	PAGE: 1/1 SCALE: 1:5



05.05.04	C.S.	D.J.	MICANAN SYSTEMS INC.	
DATE:	APPROVED:	DRAWN BY:		
UNLESS OTHERWISE SPECIFIED DIMENSIONS ARE IN INCHES TOLERANCES .XX=±.01 ANGLES=±30'			GEARHEAD TROLLEY OPERATOR PRO-GTX R70 (N-7/9)	
REVISION:A				
			CAD FILE: 2D-PROGTX-R70-ME-N7/9	PAGE: 1/1
				SCALE: 1:5