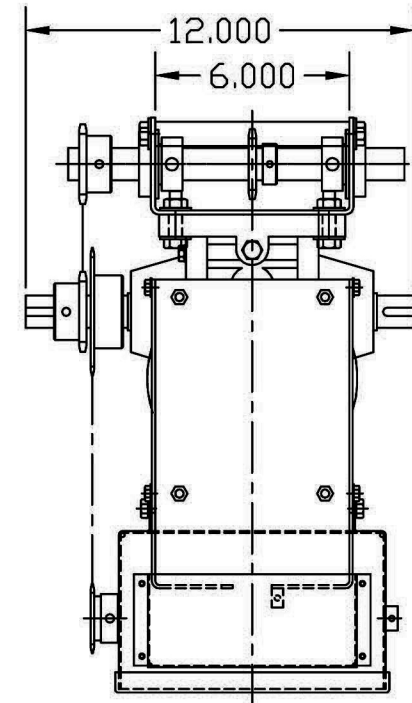
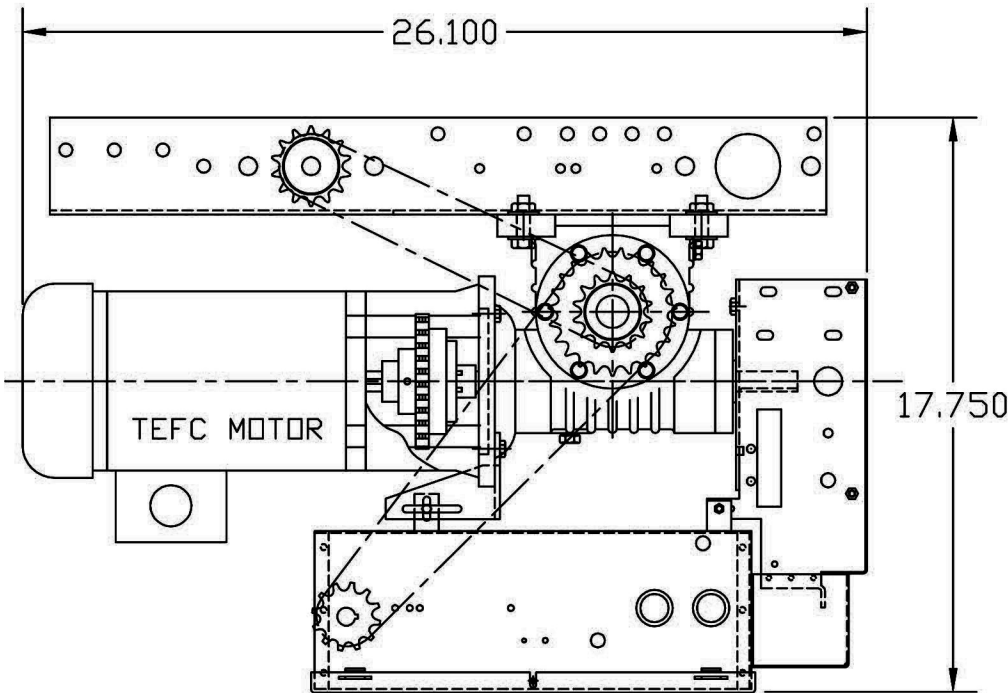
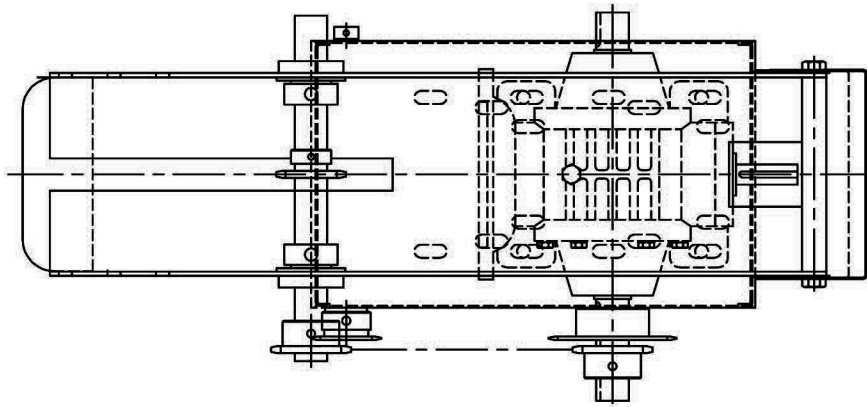
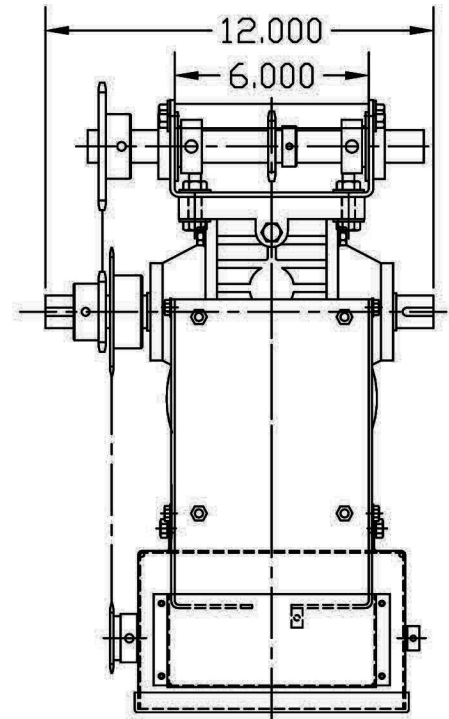
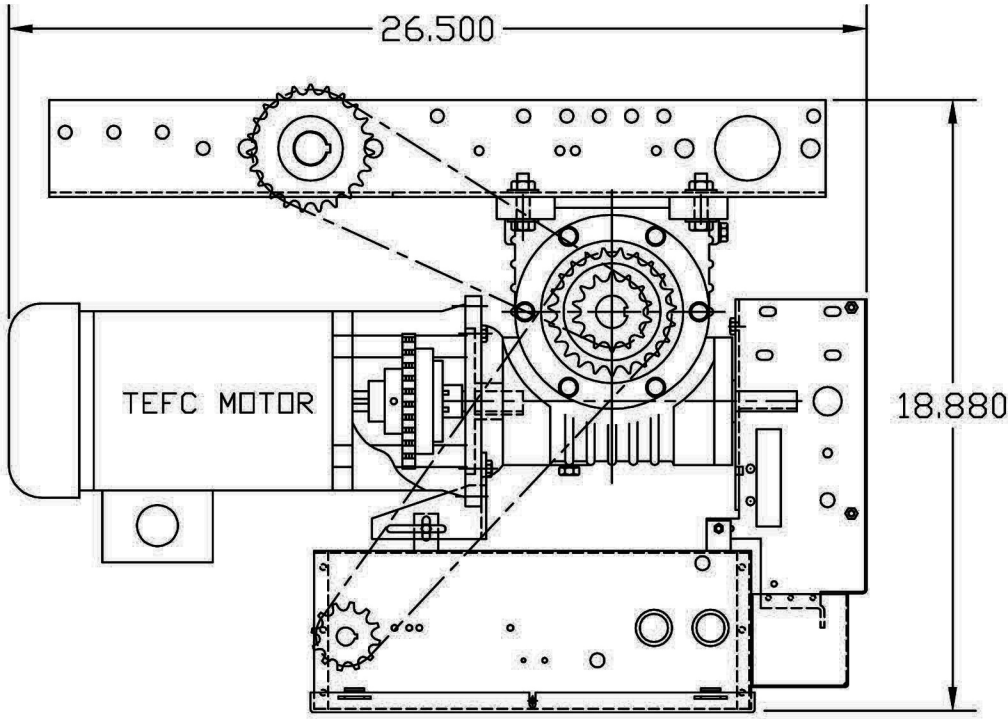
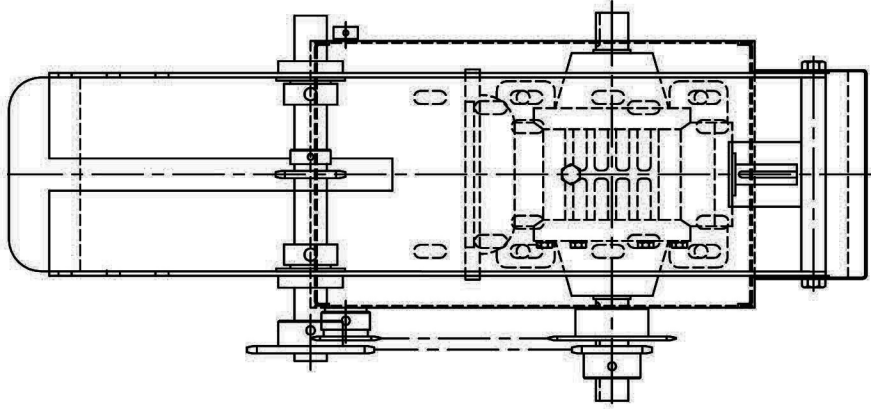


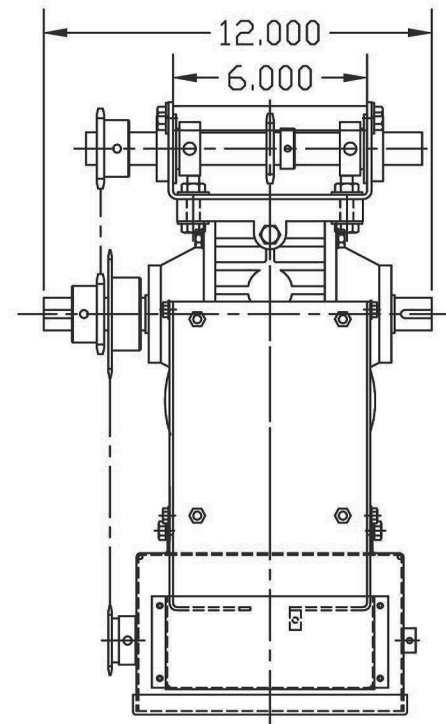
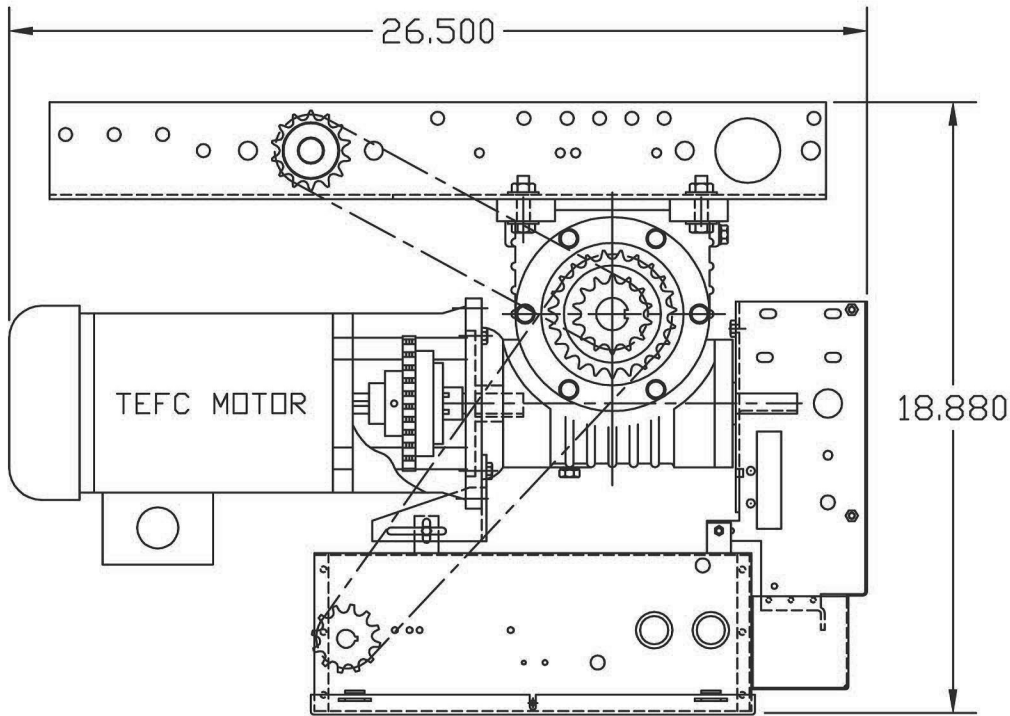
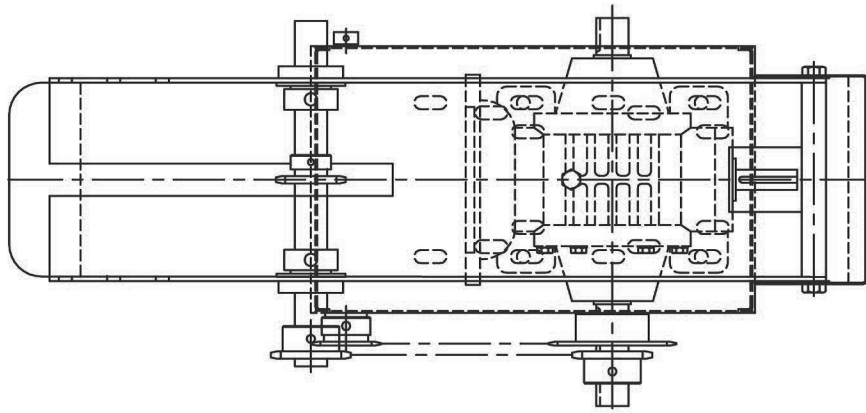
11.11.08	C.S.	D.J.	MICANAN SYSTEMS INC.	
DATE:	APPROVED:	DRAWN BY:		
UNLESS OTHERWISE SPECIFIED DIMENSIONS ARE IN INCHES TOLERANCES .XX=±.01 ANGLES=±30'			TITLE: SLIDING DOOR PRO-GSD R55 BI-PARTING	
REVISION:A			WEIGHT: 1b	SIZE: B
			CAD FILE: 2D-PROGSD-R55-ME	PAGE: 1/1 SCALE: 1:5



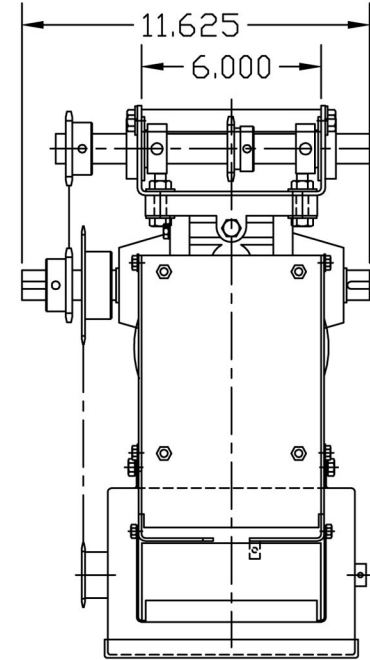
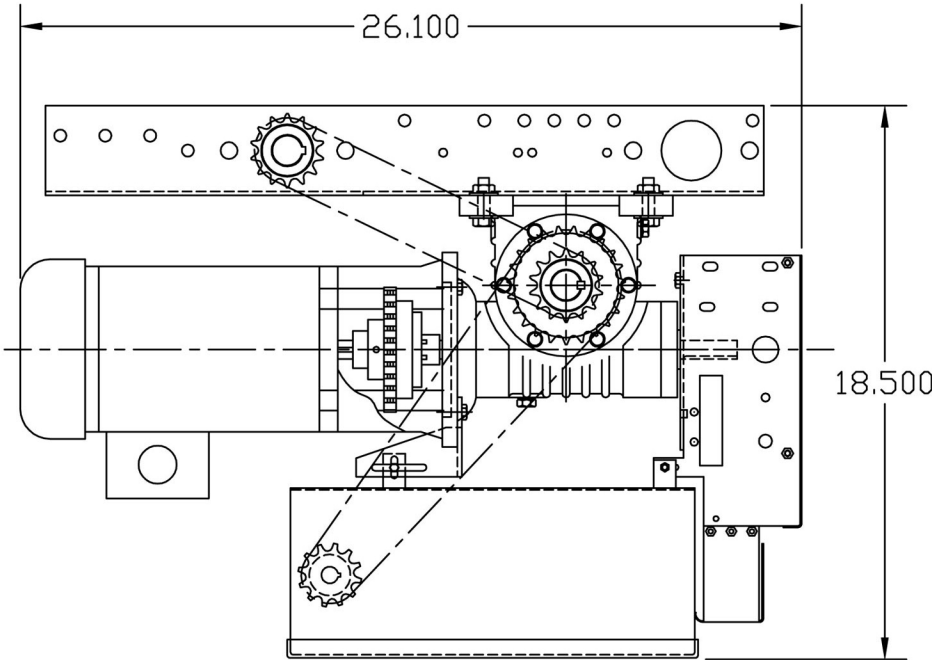
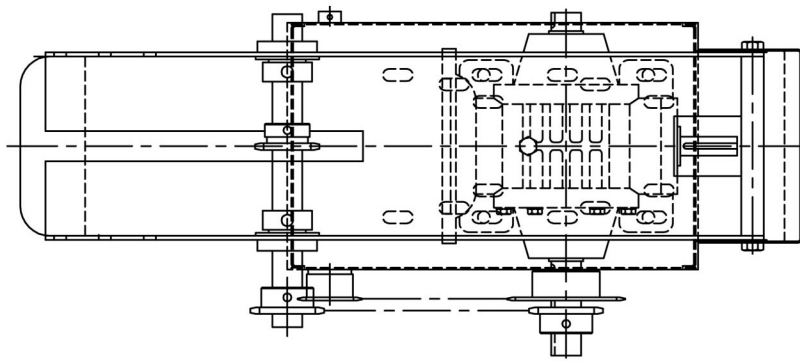
11.11.08	C.S.	D.J.	MICANAN SYSTEMS INC.	
DATE:	APPROVED:	DRAWN BY:		
UNLESS OTHERWISE SPECIFIED DIMENSIONS ARE IN INCHES TOLERANCES .XX=±.01 ANGLES=±30°			SLIDING DOOR PRO-GSD R55 SINGLE	
REVISION:A			WEIGHT: 1b	SIZE: B
			CAD FILE: 2D-PROGSD-R55-ME	PAGE: 1/1 SCALE: 1:5



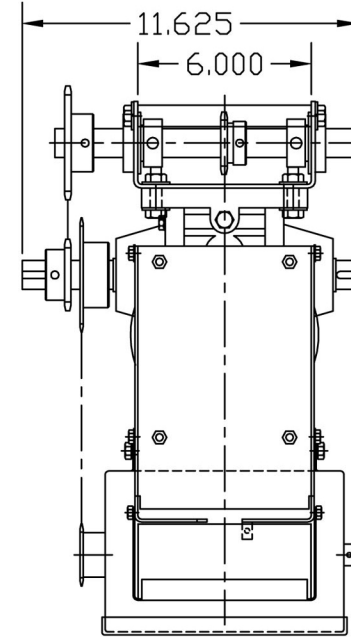
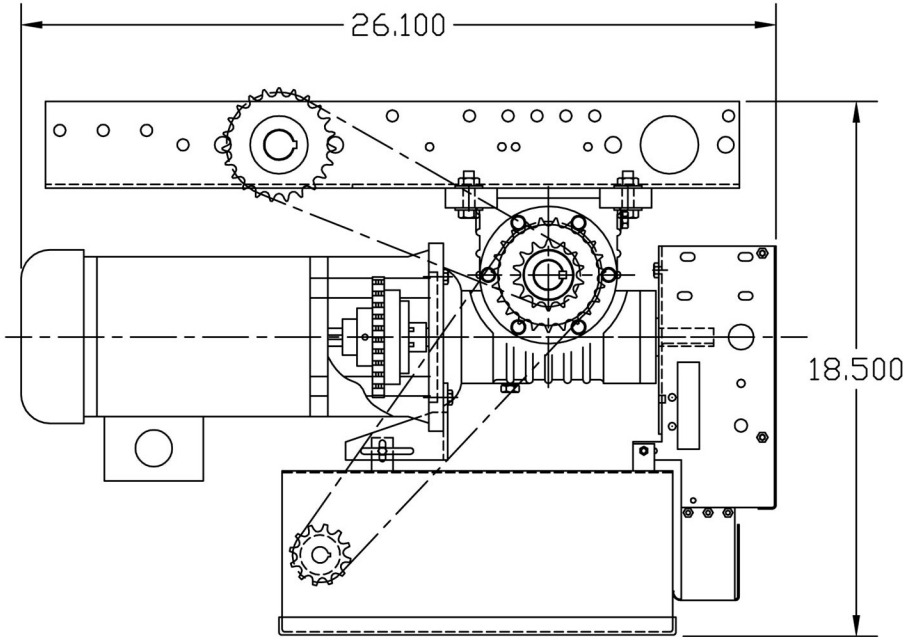
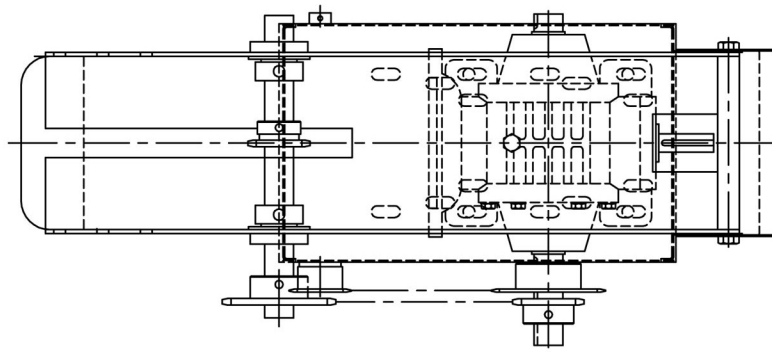
11.11.08	C.S.	D.J.	MICANAN SYSTEMS INC.	
DATE:	APPROVED:	DRAWN BY:		
UNLESS OTHERWISE SPECIFIED DIMENSIONS ARE IN INCHES TOLERANCES .XX=±.01 ANGLES=±30°			SLIDING DOOR PRO-GSD R70 BI-PARTING	
REVISION:A			WEIGHT: 1b	SIZE: B
			CAD FILE: 2D-PROGSD-R70-ME	PAGE: 1/1 SCALE: 1:5



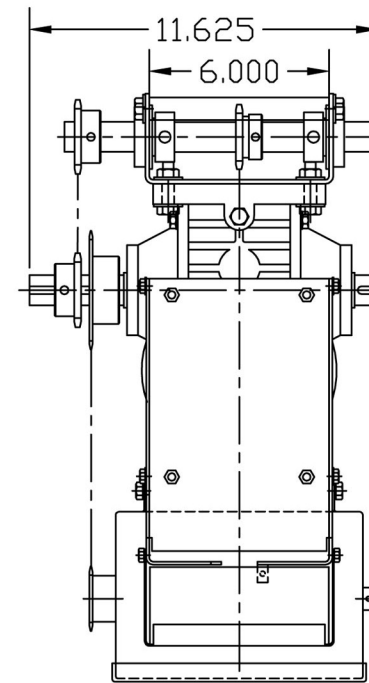
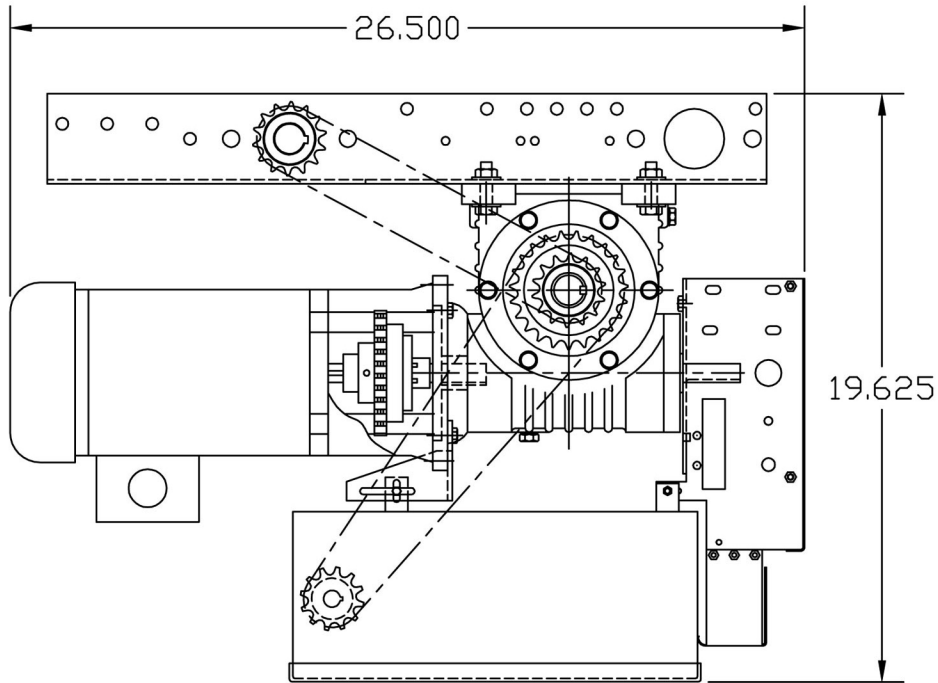
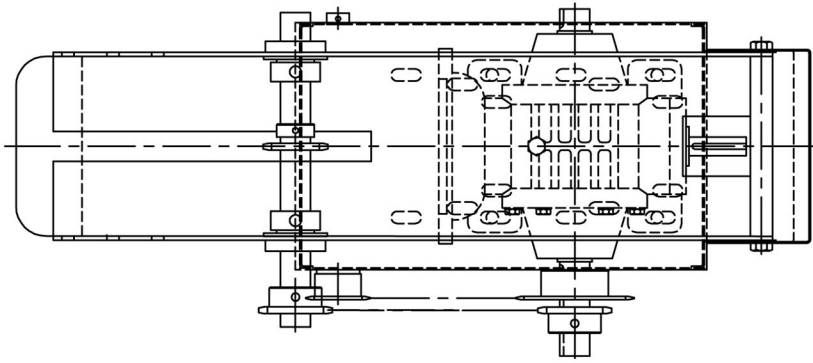
11.11.08	C.S.	D.J.	MICANAN SYSTEMS INC.	
DATE:	APPROVED:	DRAWN BY:		
UNLESS OTHERWISE SPECIFIED DIMENSIONS ARE IN INCHES TOLERANCES .XX=±.01 ANGLES=±30'			TITLE: SLIDING DOOR PRO-GSD R70 SINGLE	
REVISION:A			WEIGHT: 1b	SIZE: B
			PAGE: 1/1	
			CAD FILE: 2D-PRGSD-R70-ME	SCALE: 1:5



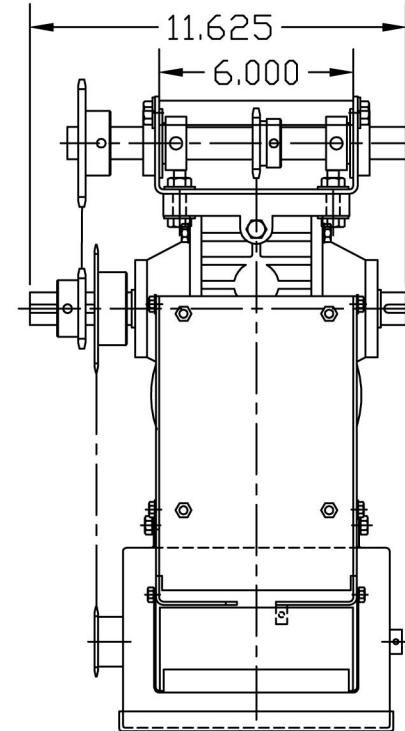
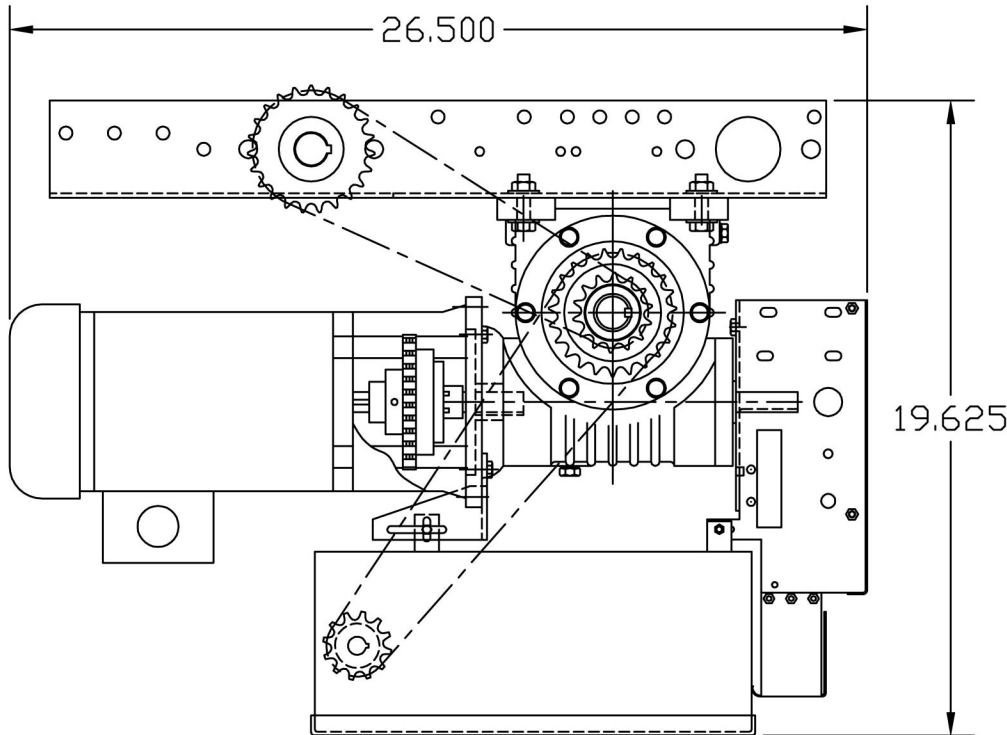
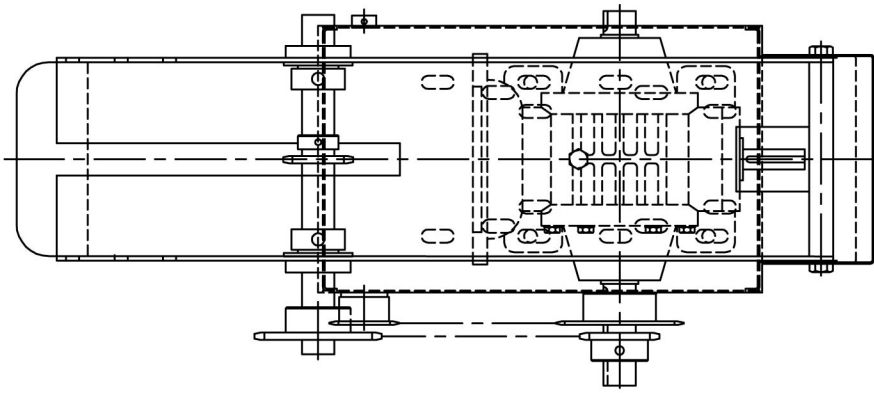
11.11.08	C.S.	D.J.	MICANAN SYSTEMS INC.	
DATE:	APPROVED:	DRAWN BY:		
UNLESS OTHERWISE SPECIFIED DIMENSIONS ARE IN INCHES TOLERANCES .XX=±.01 ANGLES=±30'			TITLE: SLIDING DOOR PRO-GSDW R55 (N-4) SINGLE	
REVISION:A			WEIGHT: 1b	SIZE: B
			CAD FILE: 2D-PROGSDW-R55-ME-N4-SINGLE	PAGE: 1/1 SCALE: 1:5



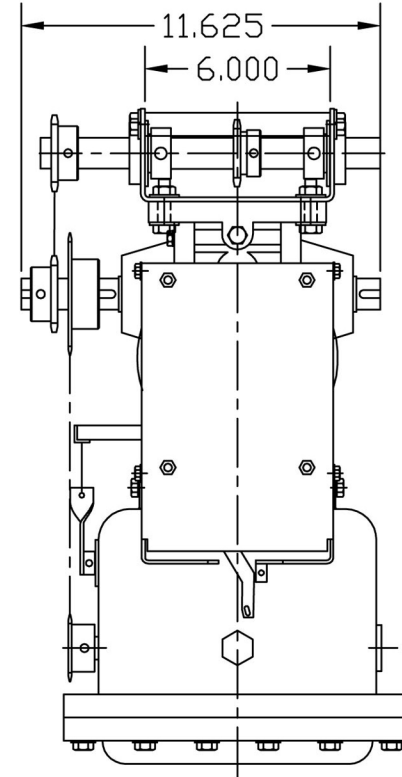
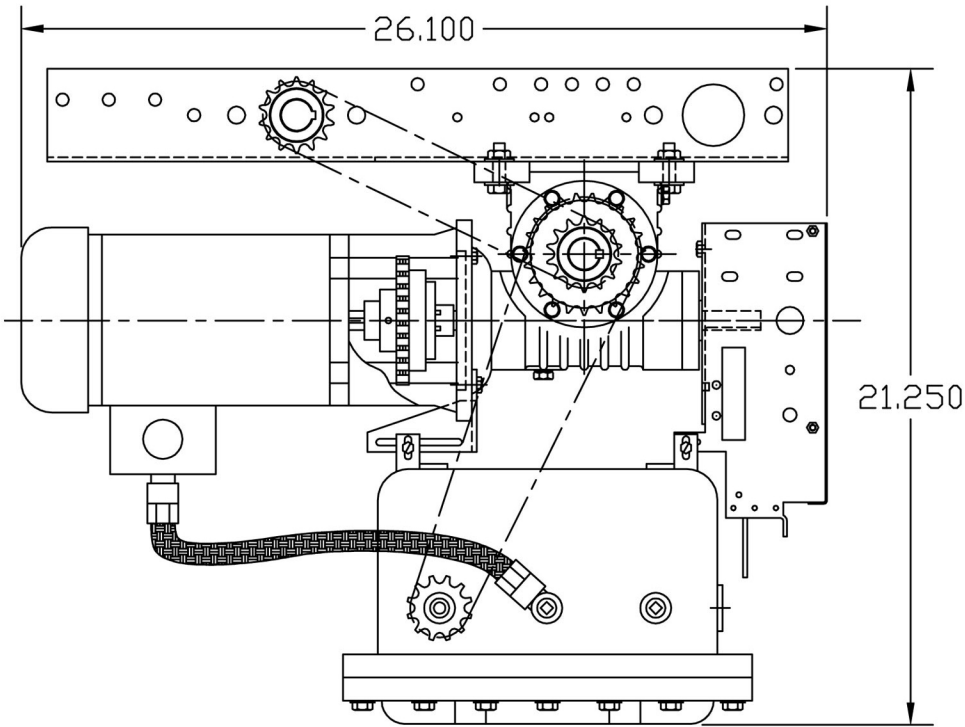
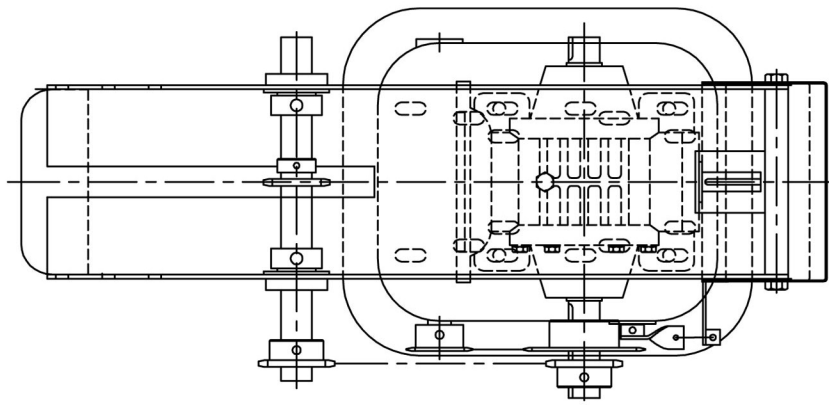
11.11.08	C.S.	D.J.	MICANAN SYSTEMS INC.	
DATE:	APPROVED:	DRAWN BY:		
UNLESS OTHERWISE SPECIFIED DIMENSIONS ARE IN INCHES TOLERANCES .XX=±.01 ANGLES=±30'			TITLE: SLIDING DOOR PRO-GSD R55 (N-4) BI-PARTING	
REVISION:A			WEIGHT: 1b	SIZE: B
			PAGE: 1/1	
			CAD FILE: 2D-PROGSDW-R55-ME-N4-BI-PARTING	SCALE: 1:5



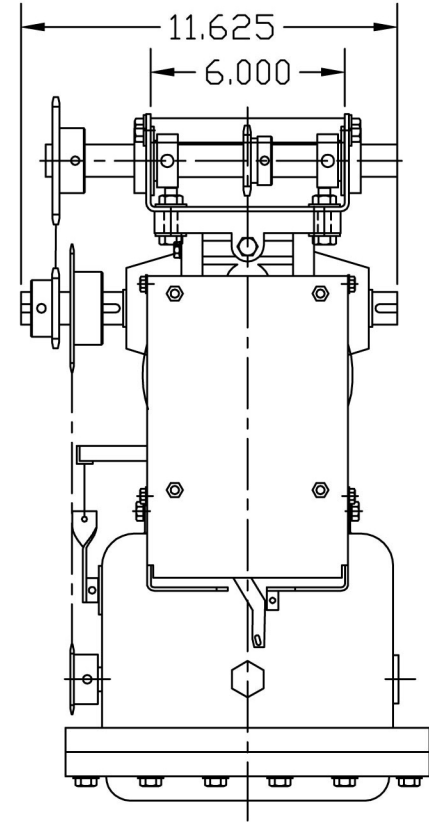
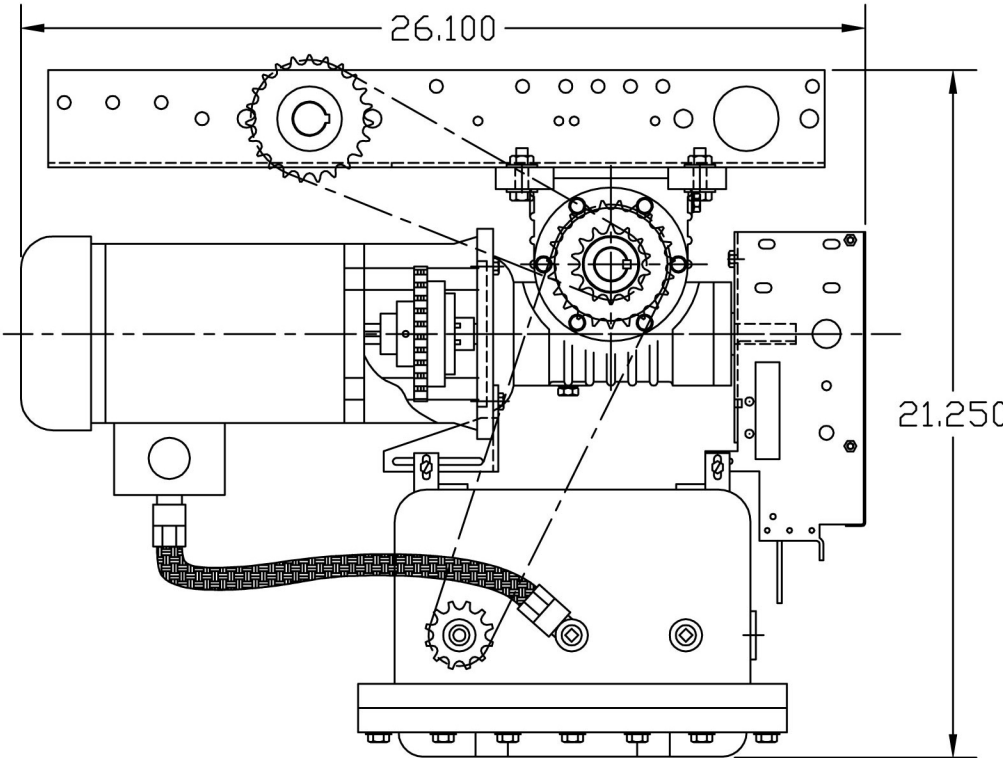
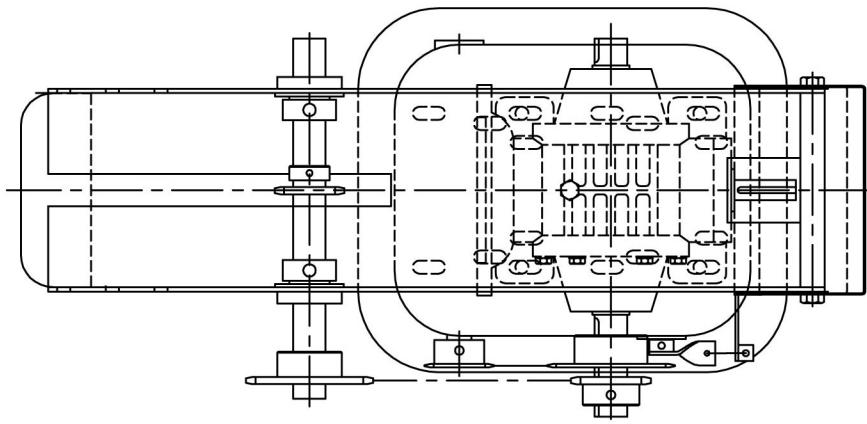
11.11.08	C.S.	D.J.	MICANAN SYSTEMS INC.		
DATE:	APPROVED:	DRAWN BY:			
UNLESS OTHERWISE SPECIFIED DIMENSIONS ARE IN INCHES TOLERANCES .XX=±.01 ANGLES=±30'			TITLE: SLIDING DOOR PRO-GSDW R70 (N-4) SINGLE		
REVISION:A			WEIGHT: 1b	SIZE: B	PAGE: 1/1
			CAD FILE: 2D-PROGSDW-R70-ME-N4 SINGLE		SCALE: 1:5



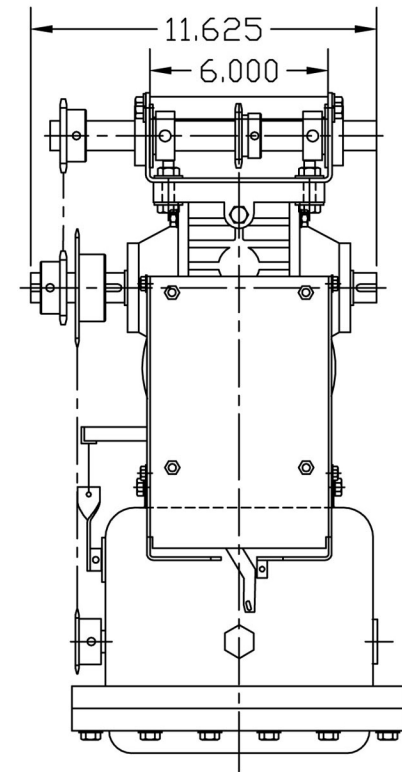
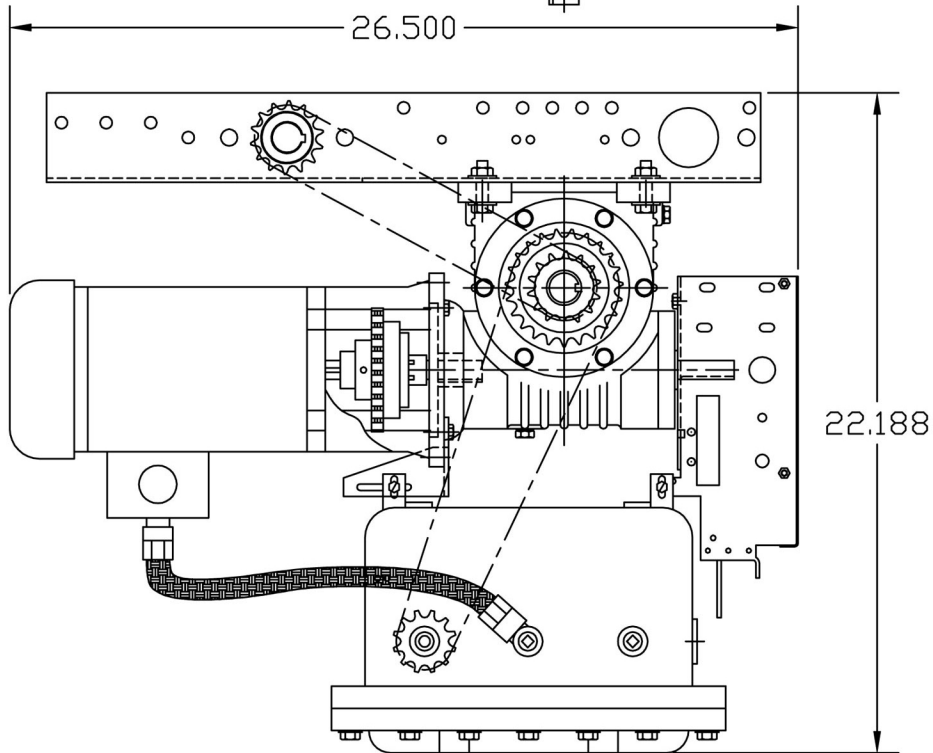
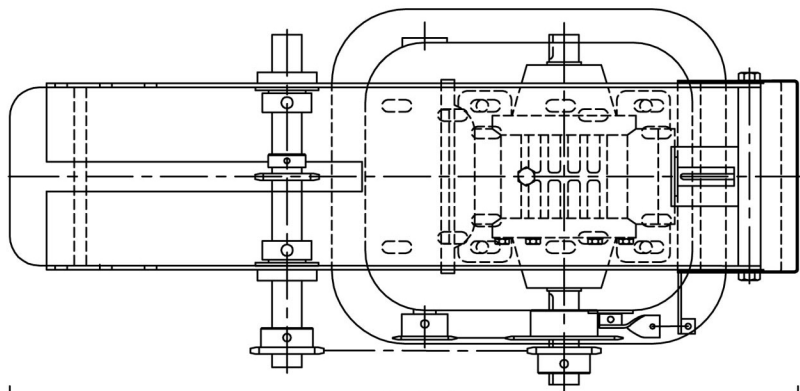
11.11.08	C.S.	D.J.	MICANAN SYSTEMS INC.		
DATE:	APPROVED:	DRAWN BY:			
UNLESS OTHERWISE SPECIFIED DIMENSIONS ARE IN INCHES TOLERANCES .XX±.01 ANGLES=±30'			TITLE: SLIDING DOOR PRO-GSDW R70 (N-4) BI-PARTING		
REVISION:A			WEIGHT: 1b	SIZE: B	PAGE: 1/1
			CAD FILE: 2D-PROGSDW-R70-ME-N4 BI-PARTING		SCALE: 1:5



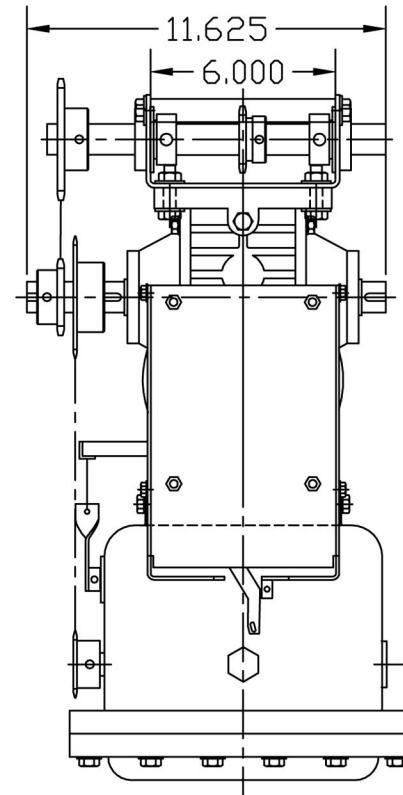
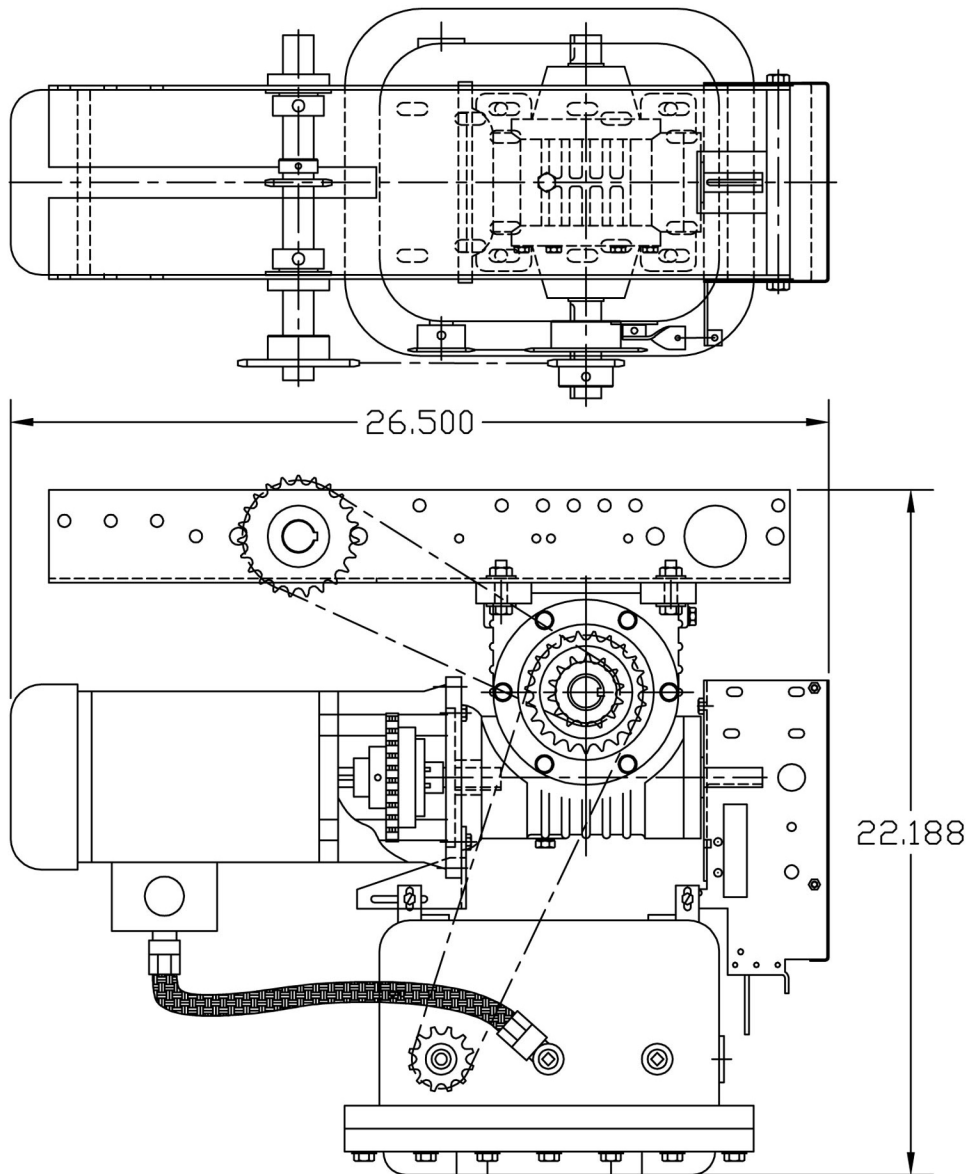
11.11.08	C.S.	D.J.	MICANAN SYSTEMS INC.	
DATE:	APPROVED:	DRAWN BY:		
UNLESS OTHERWISE SPECIFIED DIMENSIONS ARE IN INCHES TOLERANCES .XX=±.01 ANGLES=±30'			TITLE: SLIDING DOOR PRO-GSDX R55 (N-7/9) SINGLE	
REVISION:A			WEIGHT: 1lb	SIZE: B
			CAD FILE: 2D-PROGSDX-R55-ME-N7/9 SINGLE	PAGE: 1/1 SCALE: 1:5



11.11.08	C.S.	D.J.	MICANAN SYSTEMS INC.	
DATE:	APPROVED:	DRAWN BY:		
UNLESS OTHERWISE SPECIFIED DIMENSIONS ARE IN INCHES TOLERANCES .XX=±.01 ANGLES=±30'			TITLE: SLIDING DOOR PRO-GSDX R55 (N-7/9) BI-PARTING	
REVISION:A			WEIGHT: 1b	SIZE: B
			CAD FILE: 2D-PROGSDX-R55-ME-N7/9 BI-PARTING	PAGE: 1/1 SCALE: 1:5



11.11.08	C.S.	D.J.	MICANAN SYSTEMS INC.	
DATE:	APPROVED:	DRAWN BY:		
UNLESS OTHERWISE SPECIFIED DIMENSIONS ARE IN INCHES TOLERANCES .XX=±.01 ANGLES=±30'			TITLE: SLIDING DOOR PRO-GSDX R70 (N-7/9) SINGLE	
REVISION:A			WEIGHT: 1b	SIZE: B
			CAD FILE: 2D-PROGSDX-R70-ME-N7/9 SINGLE	PAGE: 1/1 SCALE: 1:5



11.11.08	C.S.	D.J.	MICANAN SYSTEMS INC.		
DATE:	APPROVED:	DRAWN BY:			
UNLESS OTHERWISE SPECIFIED DIMENSIONS ARE IN INCHES TOLERANCES .XX=±.01 ANGLES=±30'			TITLE: SLIDING DOOR PRO-GSDX R70 (N-7/9) BI-PARTING		
REVISION:A			WEIGHT: 1b	SIZE: B	PAGE: 1/1
			CAD FILE: 2D-PROGSDX-R70-ME-N7/9 BI-PARTING		SCALE: 1:5