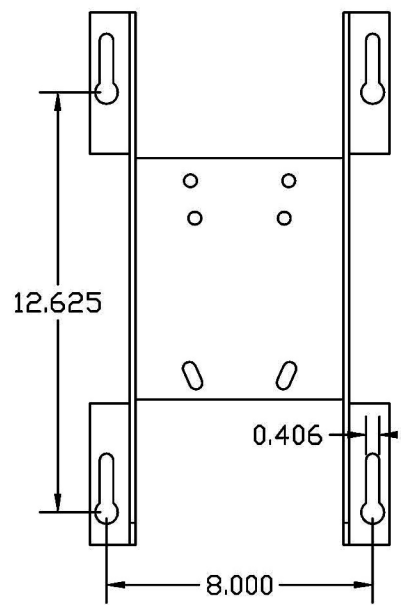
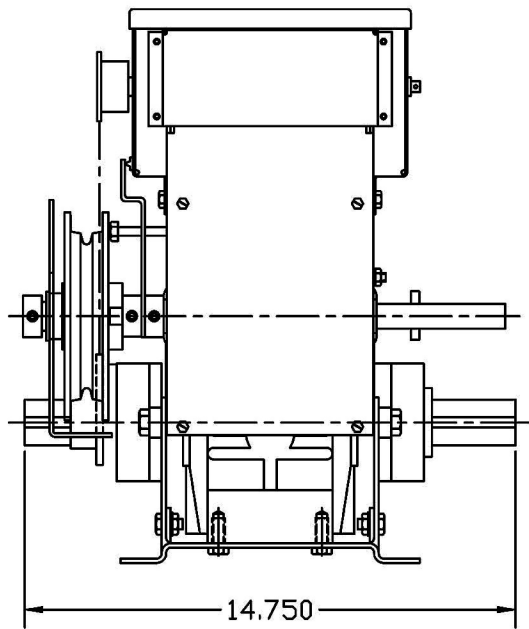
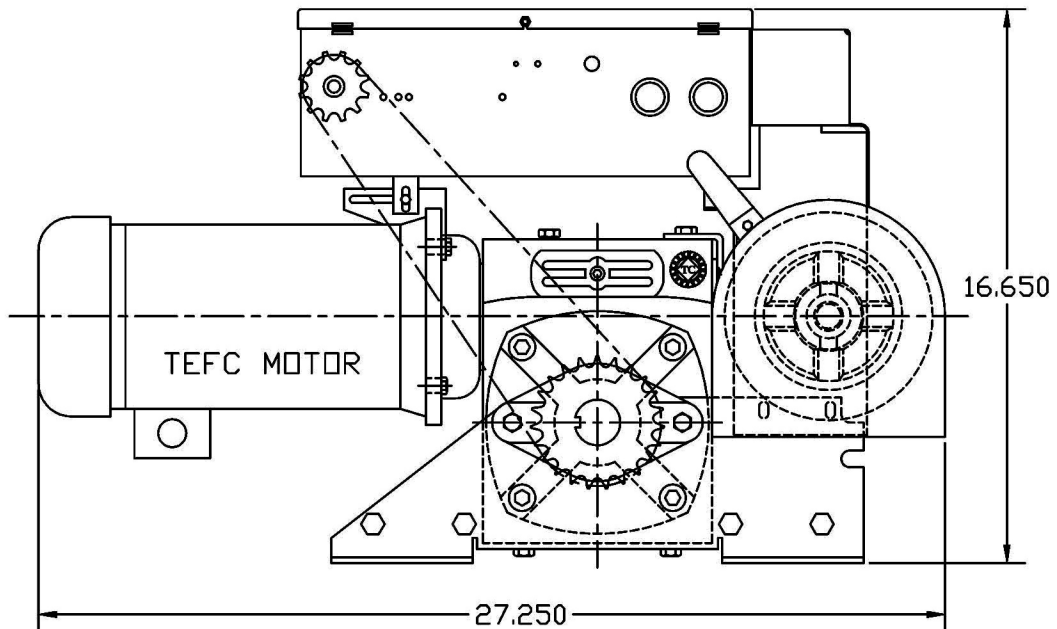
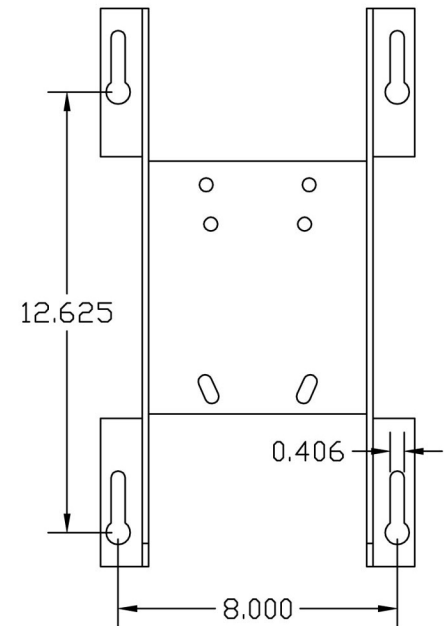
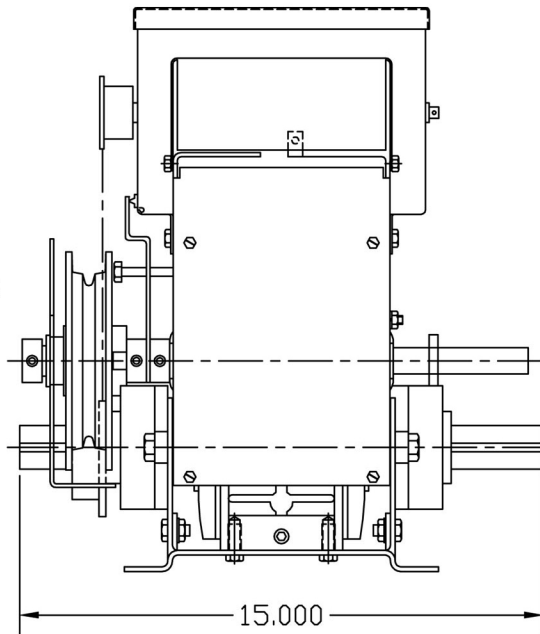
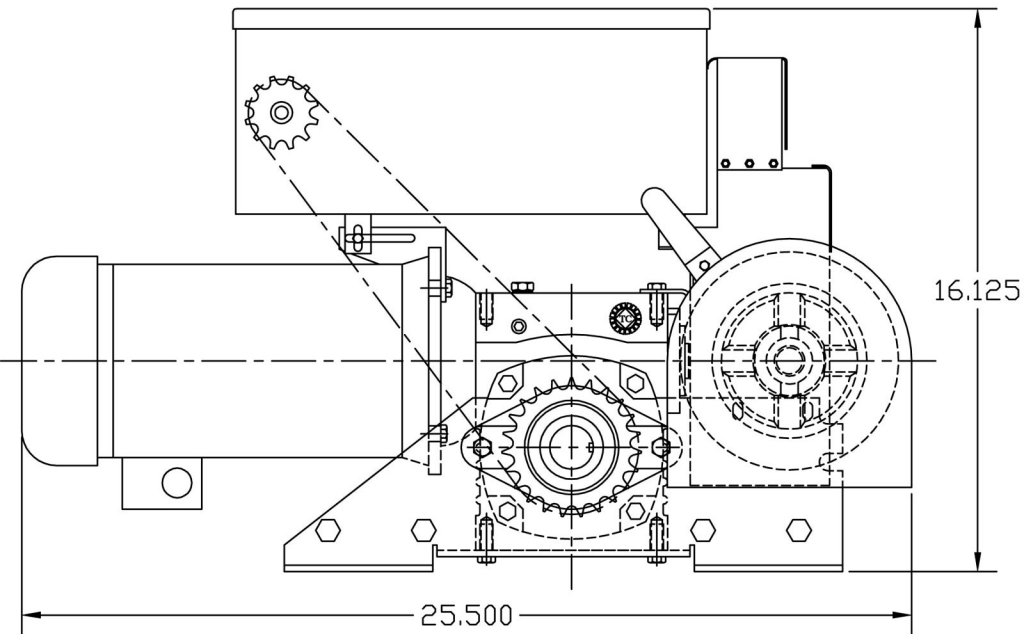


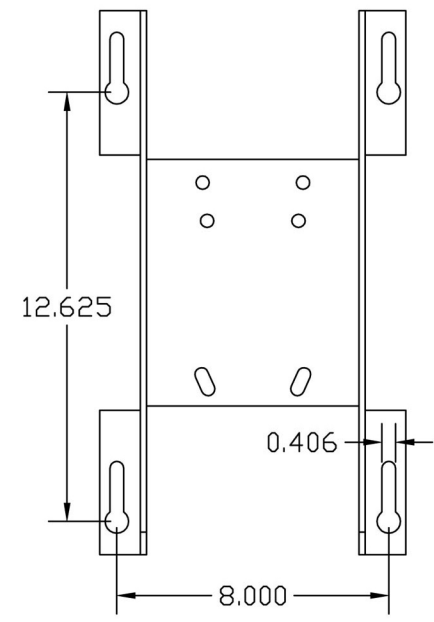
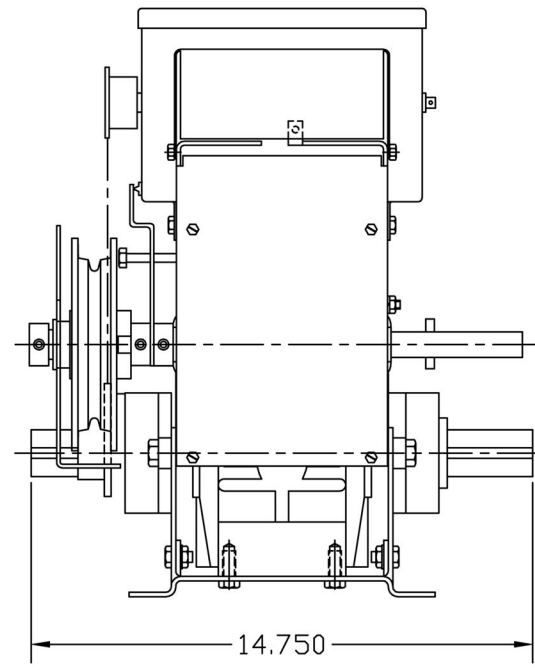
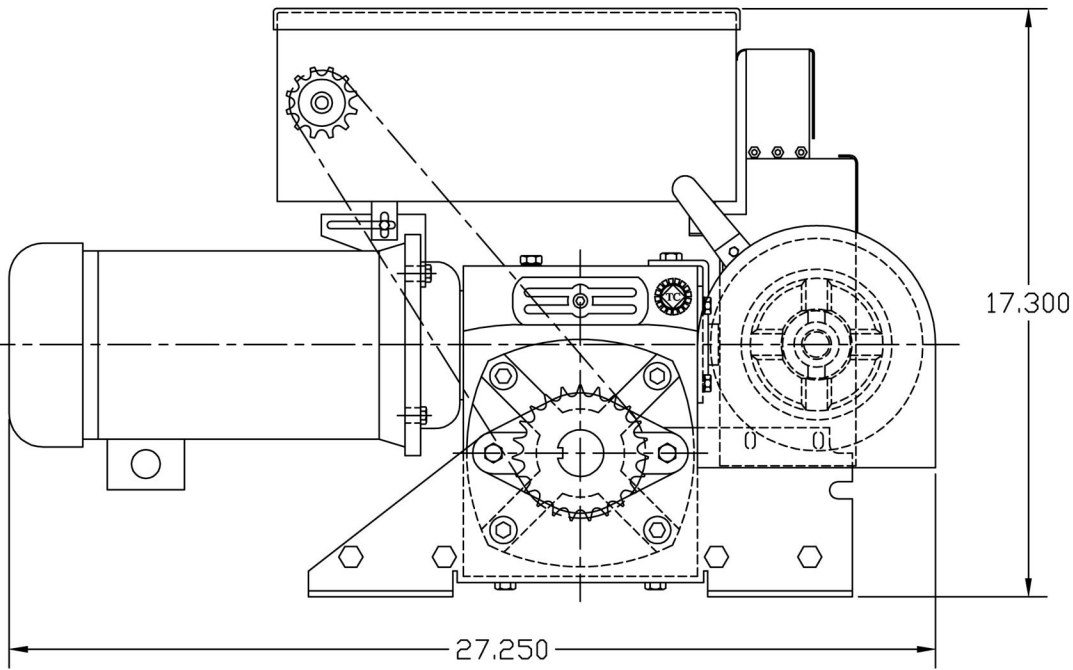
09.09.03	C.S.	D.J.	<b>MICANAN SYSTEMS INC.</b>	
DATE:	APPROVED:	DRAWN BY:		
UNLESS OTHERWISE SPECIFIED DIMENSIONS ARE IN INCHES TOLERANCES .XX=±.01 ANGLES=±30°			<b>GEARHEAD OPERATOR PRO-GHC R63</b>	
<b>REVISION:A</b>			WEIGHT: 1b	SIZE: B
			CAD FILE: 2D-PROGHC-R60-ME	PAGE: 1/1 SCALE: 1:4



06.06.02	C.S.	D.J.	<b>MICANAN SYSTEMS INC.</b>	
DATE:	APPROVED:	DRAWN BY:		
UNLESS OTHERWISE SPECIFIED DIMENSIONS ARE IN INCHES TOLERANCES .XX=±.01 ANGLES=±30°			<b>GEARHEAD OPERATOR PRO-GHC R80</b>	
<b>REVISION:A</b>			WEIGHT: 1lb	SIZE: B
			CAD FILE: 2D-PROGHC-R80-ME	PAGE: 1/1 SCALE: 1:4

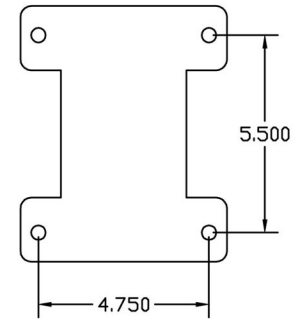
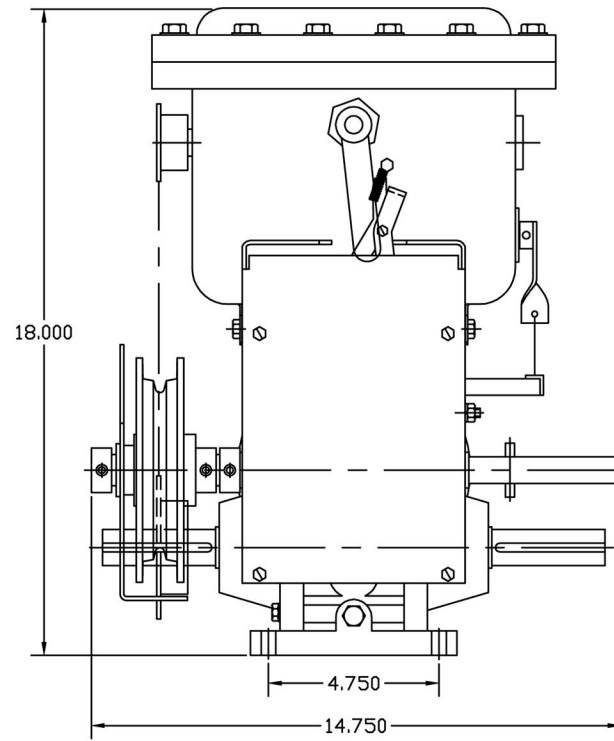
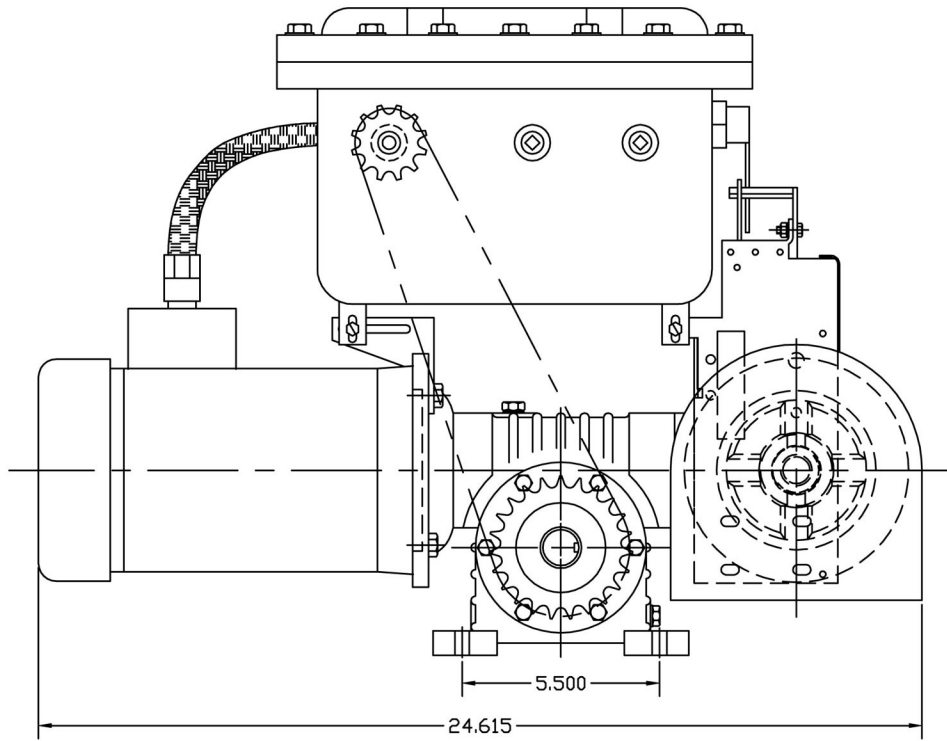


06.06.02	C.S.	D.J.	<b>MICANAN SYSTEMS INC.</b>	
DATE:	APPROVED:	DRAWN BY:		
UNLESS OTHERWISE SPECIFIED DIMENSIONS ARE IN INCHES TOLERANCES .XX=±.01 ANGLES=±30'			<b>GEARHEAD OPERATOR PRO-GHCW R63 (N-4)</b>	
<b>REVISION:A</b>			WEIGHT: 1b	SIZE: B
			CAD FILE: 2D-PROGHCW-R63-ME-N4	PAGE: 1/1 SCALE: 1:4

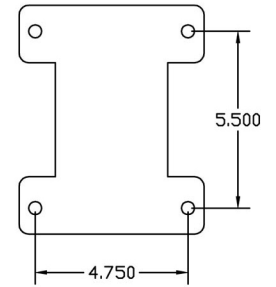
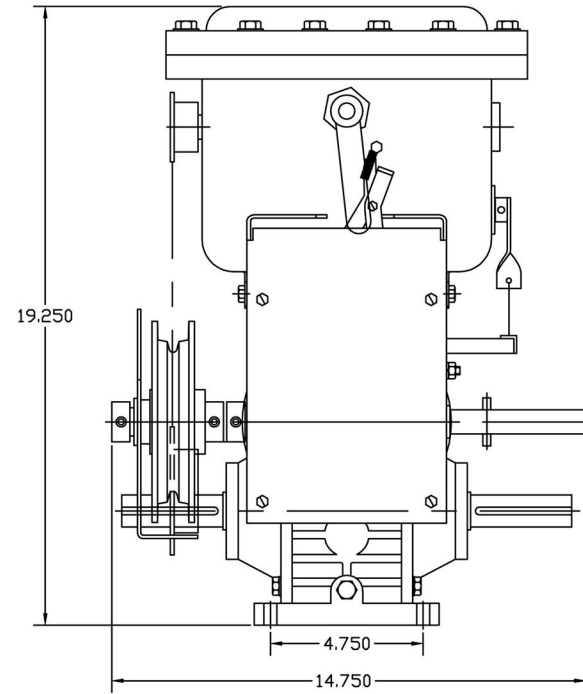
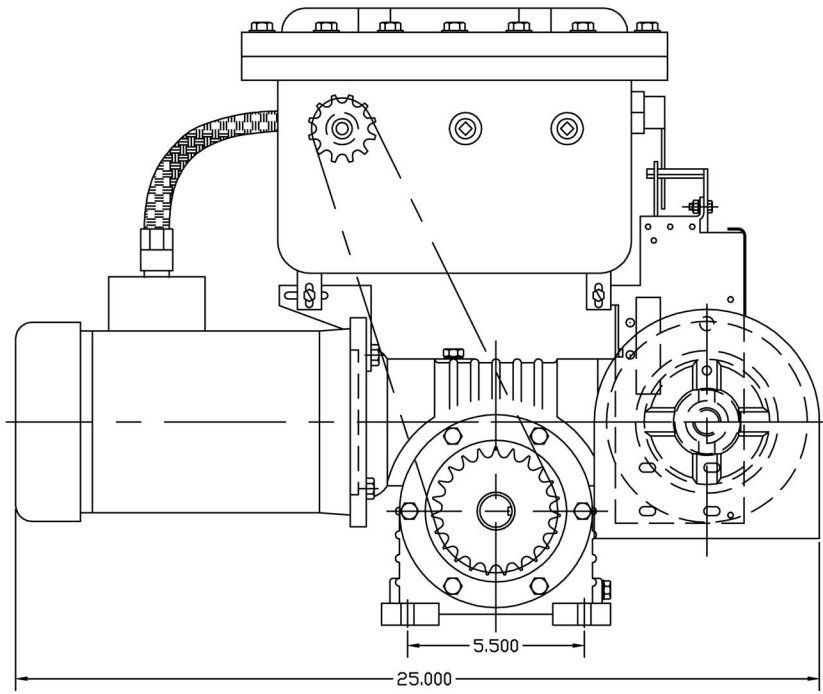


06.06.02	C.S.	D.J.	<b>MICANAN SYSTEMS INC.</b>		
DATE:	APPROVED:	DRAWN BY:			
UNLESS OTHERWISE SPECIFIED DIMENSIONS ARE IN INCHES TOLERANCES .XX=±.01 ANGLES=±30'			TITLE:		
<b>REVISION:A</b>			WEIGHT: 1b	SIZE: B	PAGE: 1/1
			CAD FILE: 2D-PROGHCW-R80-ME-N4		SCALE: 1:4
			<b>GEARHEAD OPERTOR PRO-GHCW R80 (N-4)</b>		





05.05.04	C.S.	D.J.	<b>MICANAN SYSTEMS INC.</b>	
DATE:	APPROVED:	DRAWN BY:		
UNLESS OTHERWISE SPECIFIED DIMENSIONS ARE IN INCHES TOLERANCES .XX=±.01 ANGLES=±30'			<b>GEARHEAD OPERATOR PRO-GHX R55 (N-7/9)</b>	
<b>REVISION:A</b>			WEIGHT: 1b	SIZE: B
			CAD FILE: 2D-PROGHX-R55-ME-N7/9	PAGE: 1/1 SCALE: 1:4



05.05.04	C.S.	D.J.	<b>MICANAN SYSTEMS INC.</b>	
DATE:	APPROVED:	DRAWN BY:		
UNLESS OTHERWISE SPECIFIED DIMENSIONS ARE IN INCHES TOLERANCES .XX=±.01 ANGLES=±30°			<b>GEARHEAD OPERATOR PRO-GHX R70 (N-7/9)</b>	
<b>REVISION:A</b>			WEIGHT: 1lb	SIZE: B
			PAGE: 1/1	
			CAD FILE: 2D-PROGHX-R70-ME-N7/9	SCALE: 1:4