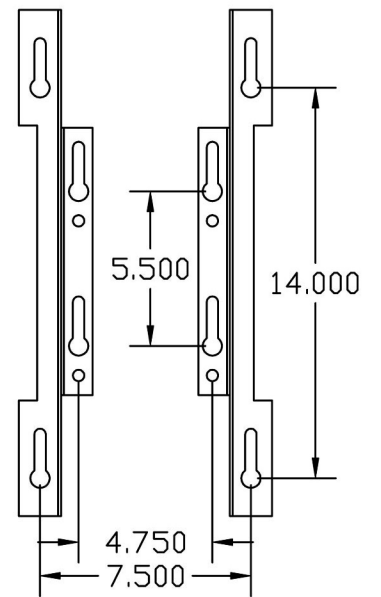
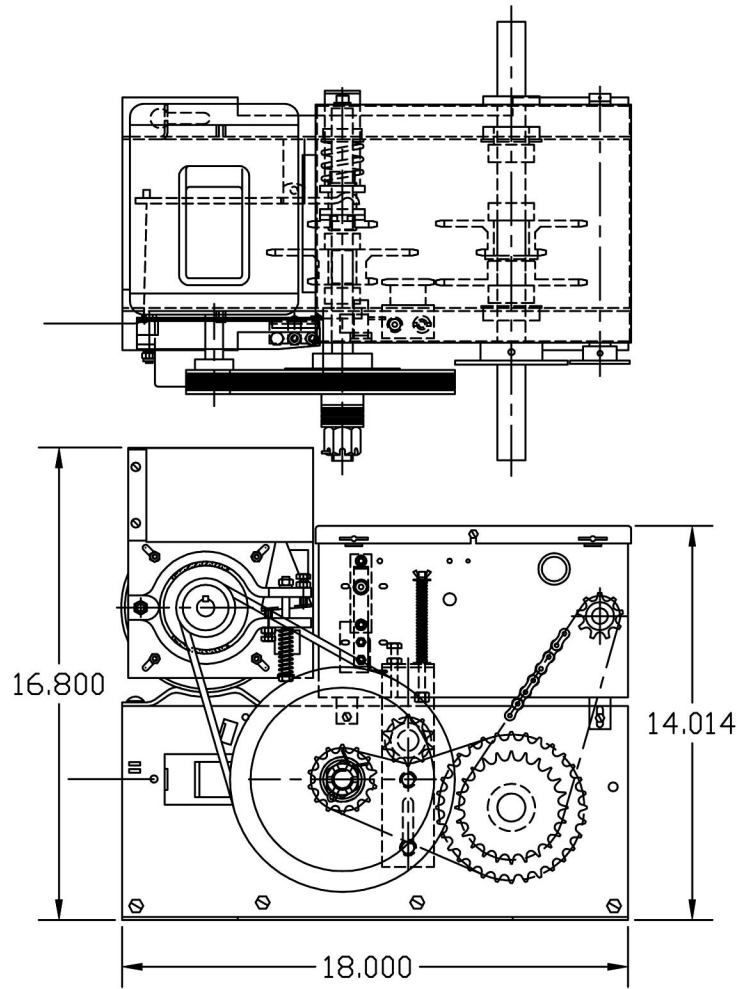
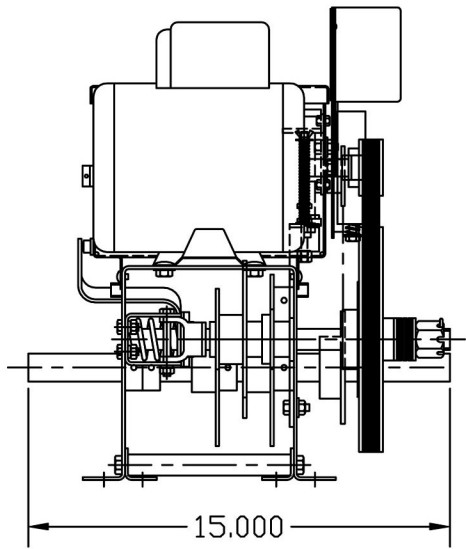


| | | | | |
|---|-----------|-----------|--------------------------------------|------------|
| 11.11.03 | C.S. | D.J. | MICANAN SYSTEMS INC. | |
| DATE: | APPROVED: | DRAWN BY: | | |
| UNLESS OTHERWISE SPECIFIED DIMENSIONS ARE IN INCHES TOLERANCES .XX=±.01 ANGLES=±30' | | | JACKSHAFT OPERATOR PRO-EJ | |
| REVISION:A | | | WEIGHT: 1b | PAGE: 1/1 |
| | | | SIZE: B | SCALE: 1:5 |
| | | | CAD FILE: 2D-PROEJ-ME | |



| | | | | |
|---|-----------|-----------|---------------------------------------|-------------------------|
| 11.11.08 | C.S. | D.J. | MICANAN SYSTEMS INC. | |
| DATE: | APPROVED: | DRAWN BY: | | |
| UNLESS OTHERWISE SPECIFIED DIMENSIONS ARE IN INCHES TOLERANCES .XX=±.01 ANGLES=±30' | | | JACKSHAFT OPERATOR PRO-EJB | |
| REVISION:A | | | WEIGHT: 1b | SIZE: B |
| | | | CAD FILE: 2D-PROEJB-ME | PAGE: 1/1 SCALE: 1:5 |