



INSTALLATION AND INSTRUCTION MANUAL

MODELS: PRO-GH, PRO-GHC



OCT, 2013

2 YEAR WARRANTY

Model: _____

Serial # _____

Installation Date: _____

Wiring Diagram _____

TABLE OF CONTENTS

PAGE:

VERIFICATION OF OPERATOR AND HARDWARE _____	3
SPECIFICATIONS _____	4
SAFETY INSTRUCTIONS _____	5
INSTALLATION _____	6
ELECTRICAL CONNECTIONS AND SETTINGS _____	9
LIMIT SWITCH ADJUSTMENT _____	23
MICANAN PHOTOBEAM INSTALLATION INSTRUCTIONS _____	24
CLUTCH ADJUSTMENT _____	28
FIRE RELEASE INSTALLATION _____	29
BRAKE ADJUSTMENT _____	30
EMERGENCY MANUAL OPERATION _____	31
OPERATOR MAINTENANCE _____	32
MECHANICAL DRAWINGS AND PARTS LISTS _____	33
ELECTRICAL DIAGRAMS _____	37
WARRANTY _____	46

OPTIONS	
MP00046	#60, #80 Drive Chain and Sprockets
MW00024	Chain Spreader 1" – 1"
MW00025	Chain Spreader 1" – 1-1/4"
PRO- W	Waterproof modification
PRO- 4X	Corrosion proof modification
PRO- X	Explosion proof modification
MP00007 *	115 Volt control circuit
MK00061 **	1.5 sec time delay on reverse
MP00001 **	Timer to Close
PRO-PL	Separate control panel
MP00038	Fire release mechanism
MP00037	Hand Crank
9999999	Pusher Springs
MP00069-74	Auxiliary trolley c/w track & #41 chain
MP00112-118	Dual auxiliary trolley c/w track & #41 chain
MX00001	Floor Level disconnect in lieu of chain keeper
MW00050,52	In-Line Torque Clutch

* Not available for logic board controls

** Standard feature with logic board controls

**WARNING**

DO NOT CONNECT TO ELECTRICAL
POWER DURING INSTALLATION
OR SERVICING OF OPERATOR

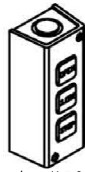
IMPORTANT

FOR ANY QUESTIONS CONCERNING THE SAFETY OR OPERATION OF THIS OPERATOR PLEASE CONTACT MICANAN SYSTEMS AT 1-877-888-1116 **SAVE THESE INSTRUCTIONS**

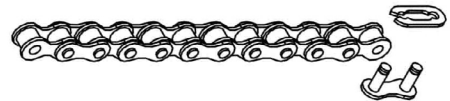
VERIFICATION OF OPERATOR AND HARDWARE

Upon delivery of your MICANAN SYSTEMS heavy-duty gearhead jackshaft door operator, please inspect the unit carefully for damage. Verify that operator horsepower, voltage, phase and amperage correspond to available power supply and door application. Check that along with your operator you have received the following standard hardware.

1 x OPEN/CLOSE/STOP 3-button control station:



1 x #50 Drive chain package : 4' (1.2m) or 5' (1.5m) c/w #50 connecting link



1 x Drive Sprocket 50B12 or 50B15 c/w 2 set screws and keyway

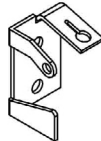


1 x Door Sprocket: 50B23 x 1" or 1-1/4" bore, 2 set screws and 1/4" x 1-1/4" keyway for sectional doors
or 50B40 x 1" or 1-1/4" bore, 2 set screws and 1/4" x 1-1/4" keyway for rolling doors

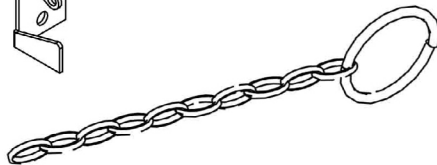
Note: Sprocket size and bore may vary according to door size and type, shaft size and drum diameter



1 x Chain keeper



1 x Keyring



4 x 3/8" bolt, hex nut, lock washer and flat washer



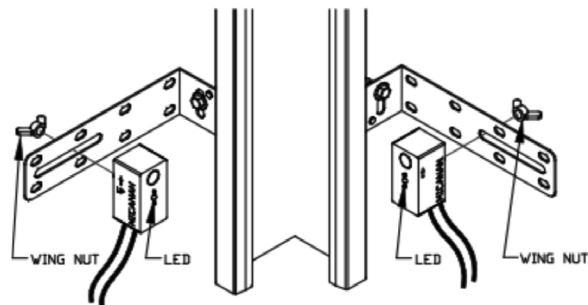
1 x pocket wheel hand chain (2 x door height less 4' (1.2m))



1 x Warning sign



1 set of Micanan photocells (*supplied when operator ordered with interface module or logic control*)



PRO-GH & PRO-GHC SPECIFICATIONS

PRO-GH and PRO-GHC heavy-duty jackshaft operators are designed for large commercial and industrial doors provided that doors are driven by a drive shaft. Model PRO-GH is essentially the same as model PRO-GHC with the exception that the PRO-GHC operator has a reinforced frame and pillow block bearings on reducer drive shaft.

STANDARD OPERATOR WEIGHT: PRO-GH (100-120 Lbs.) PRO-GHC (120-150 Lbs.)

MOTOR: Continuous duty 1725 RPM industrial type motor. Full overload protection.

- Horsepower range for PRO-GH: 1/2HP, 3/4HP, 1HP, 1.5HP (3-phase & 1-phase), 2HP, 3HP, 5HP (3-phase only)
- Horsepower range for PRO-GHC: 1/2HP, 3/4HP, 1HP, 1.5HP (3-phase & 1-phase), 2HP, 3HP (3-phase only)
- Voltage:

115V 1-phase (60Hz)	230V 3-phase (60 Hz)	220V 1-phase (50Hz)
230V 1-phase (60Hz)	460V 3-phase (60Hz)	380V 3-phase (50Hz)
	575V 3-phase (60Hz)	

REDUCTION: Primary: Heavy duty worm gear reducer 40:1 – 44:1 reduction
Secondary: #50 chain and sprockets from operator to door shaft

OUTPUT SHAFT SPEED: 40-43 RPM

BRAKE : Solenoid actuated drum and brake shoe braking system to prevent coasting and maintain door position.

WIRING TYPE (3 OPTIONS):

Option 1: **Full Feature logic board Smart 10.0 (UL325 (2010) compliant).** Note: Micanan compatible primary entrapment device must be connected for B2, T or TS (momentary or timer activation on close) feature.

Option 2: **Relay logic controls with Interface Module (UL325 (2010) compliant).** C2 Standard factory wiring (constant pressure on close, momentary contact on open and stop). If momentary contact on close (B2) wiring is desired, move “white” wire from terminal #6 to terminal #3. Note: Micanan compatible primary entrapment device must be connected for B2 (momentary activation on close) or for T (timer to close) feature.

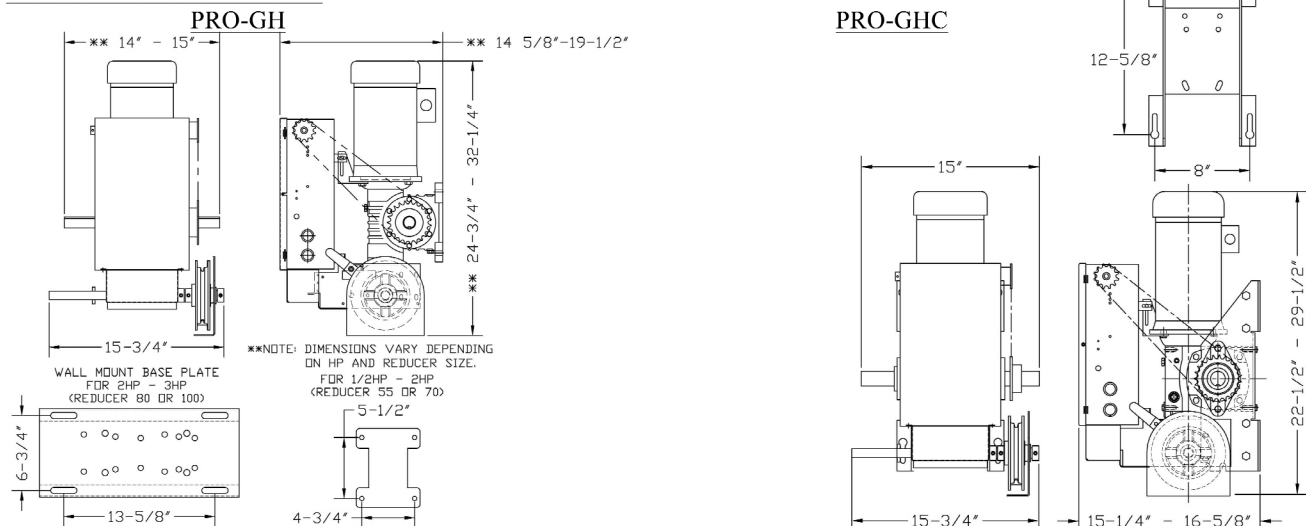
Option 3: **Standard relay logic controls (not UL325 (2010) compliant, not available in US)** C-2 Wiring constant pressure on close, momentary contact on open and stop. NOTE: If momentary contact on close (B2) wiring is desired, move “white” wire from terminal #5 to terminal #3.

TRANSFORMER: 24VAC control circuit, supplies power to drive control relays with 15VA power available for external devices.

LIMIT ADJUSTMENT: 4 micro switches that control door travel. These limit switches are activated by fully adjustable screw type cams.

EMERGENCY DISCONNECT: Floor level cable disconnect system with electrical cut-out feature allows person to manually operate door by chain hoist in case of emergency.

OPERATOR DIMENSIONS:



IMPORTANT SAFETY INSTRUCTIONS

WARNING

TO REDUCE THE RISK OF INJURY OR POSSIBLE DEATH:

- **READ AND FOLLOW ALL INSTRUCTIONS**
- Never allow children to operate or play with door controls. Keep the remote control (where provided) away from children.
- Personnel should keep away from a door in motion and keep the moving door in sight until it is completely closed or opened. **NO ONE SHOULD CROSS THE PATH OF A MOVING DOOR.**
- Test the door's safety features at least once a month. After adjusting the limit of travel, retest the door operator's safety features. Failure to adjust the operator properly may cause severe injury or death.
- For products having a manual release, if possible, use the manual release only when the door is closed. Use caution when using this release when the door is open. Weak or broken springs may cause the door to fall rapidly, causing severe injury or death.
- **KEEP DOORS PROPERLY OPERATING AND BALANCED.** See Door Manufacturer's Owner's Manual. An improperly operating or balanced door could cause severe injury or death. Have trained door systems technician make repairs to cables, spring assemblies, and other hardware.
- Press the "OPEN" device or use emergency disconnect mechanism if a person is trapped under the door.
- **SAVE THESE INSTRUCTIONS.** The owner or users must understand the safety and operation of door system. Insure that this installation manual be located close to the door system.

IMPORTANT INSTALLATION INSTRUCTIONS

- **READ AND FOLLOW ALL INSTALLATION INSTRUCTIONS**
- Commercial door operators are never to be installed on a residential installation
- Install only on a properly operating and balanced door. A door that is operating improperly could cause severe injury. Have qualified service personnel make repairs to cables, spring assemblies, and other hardware before installing the operator.
- Remove all pull ropes and remove, or make inoperative, all locks (unless mechanically and/or electrically interlocked to the power unit) that are connected to the door before installing the operator.
- Install the door operator at least 8 feet or more above the floor if the operator has exposed moving parts.
- Do not connect the operator to the source of power until instructed to do so.
- Locate the control station: (a) within sight of the door, (b) at a minimum height of 5 feet so that small children cannot reach it, and (c) away from all moving parts of the door.
- Install the Entrapment Warning Placard next to the control station in a prominent location.
- For products having a manual release, instruct the end user on the operation of the manual release.
- Install non-contact entrapment protection devices (photocells) and/or contact entrapment protection devices (reversing edges). Note: photocells should be installed at no more than 6" from the floor. Edges should be installed on the leading edge of the door.

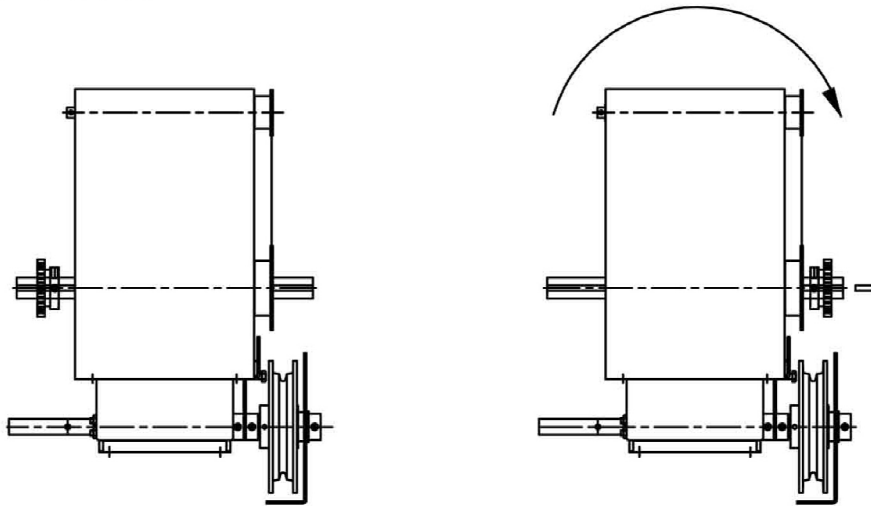
INSTALLATION INSTRUCTIONS

WARNING

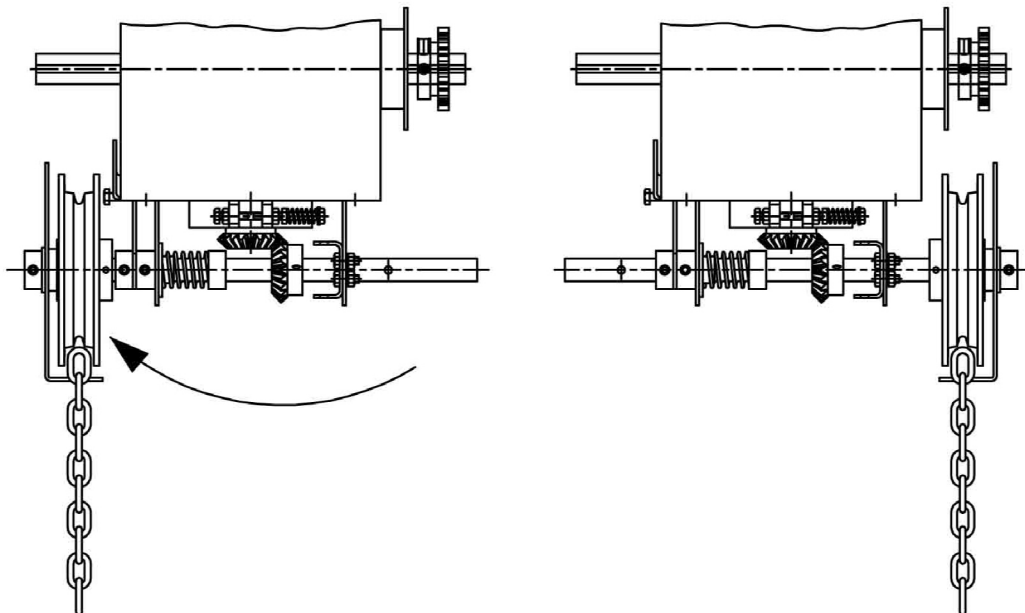
DO NOT INSTALL THIS OPERATOR
BEFORE READING THIS MANUAL CAREFULLY.

Note: - Installation of operator must be done by a qualified installer. Door must be properly installed and working smoothly. Remove all door locks prior to installation.

- The PRO-GH, PRO-GHC operators have dual output shafts and may be mounted on right (standard) or left hand side of door. If handing of operator must be reversed, loosen set screws, remove drive sprocket and keyway and install on opposite side of drive shaft.



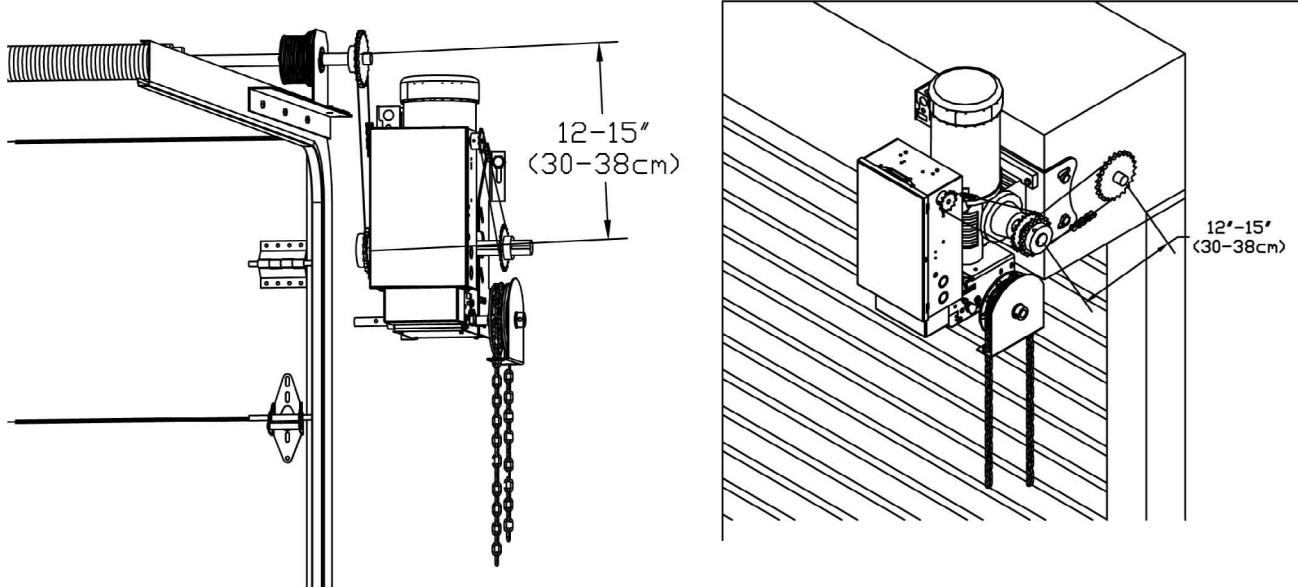
- For both the PRO-GH and PRO-GHC operators the handing of the operator should be stated at time of order. Depending on installation, if handing of chain hoist is not correct the hand chain may hang in door opening. If this is the case, swing chain off to the side and hook it over the top of the door jamb. If desired, the pocket wheel, chain guard and hand chain may be removed on site and installed on opposite side of universal disconnect shaft as shown below.



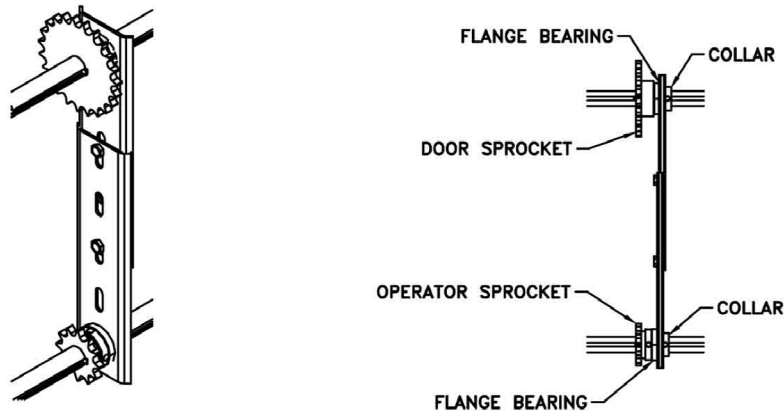
1. Install control station away from all moving door parts, within sight of the door and a minimum of 5 ft (1.5 m) from the ground.
2. Install entrapment warning sign next to control station.



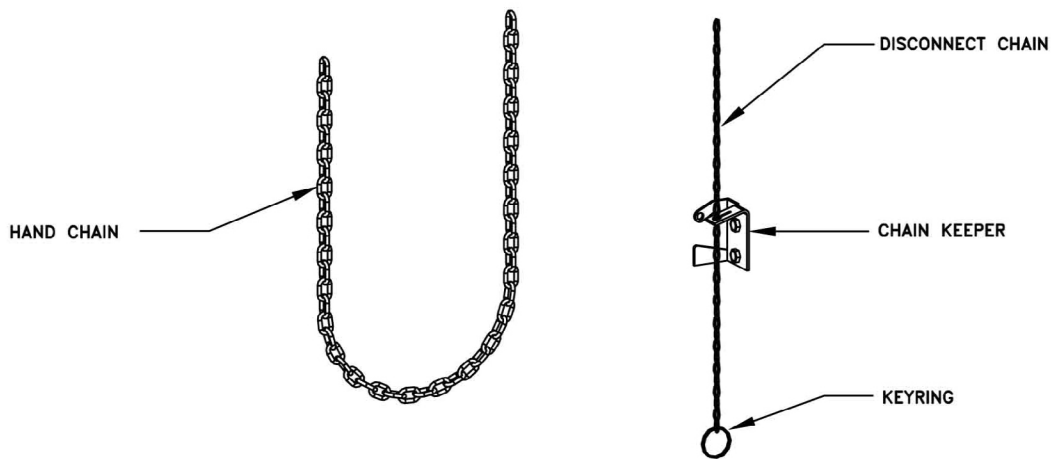
3. As a general rule, the door operator should be installed below the drive shaft and as close to the door as possible. The ideal distance between the operator drive shaft and the door shaft is approximately 12" (30cm) to 15" (38cm). The operator may be wall/bench mounted or bracket /shelf mounted. These two mounting configurations are shown below:



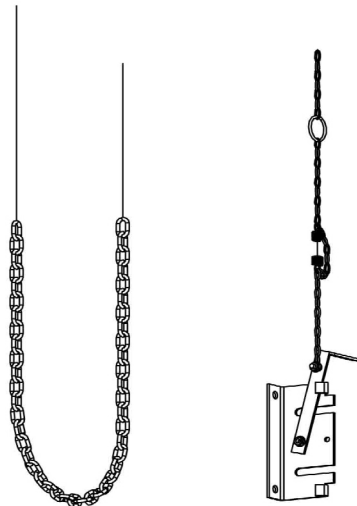
4. Mount the operator to the wall, hood or bench with 3/8" bolts, nuts and washers provided or with lag bolts and shields if installation requires it. Make sure that operator is secured but do not tighten bolts.
5. Place door sprocket on door shaft and align with operator drive sprocket but do not insert keyway or set screws.
6. If an optional chain spreader has been ordered with your operator, install as shown below:



7. Install drive chain over sprockets, cut to a suitable length and connect with connecting link.
8. Lower or raise operator to adjust chain tension so that there is no more than $\frac{1}{4}$ " chain slack between sprockets. Tighten operator mounting bolts.
9. Carefully re-align sprockets, if necessary and secure keyway and set screws.
10. Install hand chain by wrapping it through chain guard holes and pocket wheel. Allow chain to hang down towards floor. Cut chain and connect so that chain is 2' to 3' from the floor.
11. Install chain keeper to wall near hand chain at approximately 4' from floor. Run disconnect chain through keyhole of chain keeper and cut excess chain links if required. Attach keyring to end of disconnect chain.

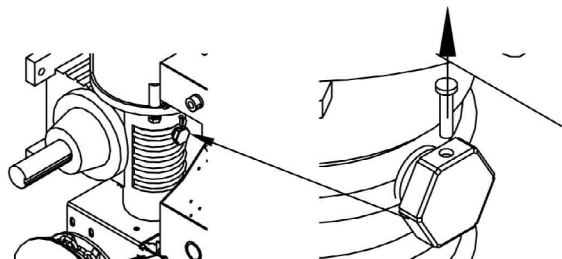


12. If an *optional* floor level disconnect lever was ordered in lieu of the chain keeper, mount to wall with suitable hardware. Attach both chains together using keyring provided. Allow disconnect chain to be slightly slack when lever is in the up position.



13. **After installation is complete, remove red activation pin on reducer breather plug.**

IMPORTANT



ELECTRICAL CONNECTIONS

THERE ARE 3 POSSIBLE ELECTRICAL CONTROL CONFIGURATIONS FOR THIS OPERATOR:

- A) Standard relay logic controls (not UL325 (2010) compliant, not available in US).** Refer to Section A for electrical connections. Refer to electrical drawings inside your operator control box or generic drawings MS100-WW or MS300-WW in the electrical drawings section at the end of this manual.
- B) Relay logic controls with Interface Module (UL325 (2010) compliant).** Refer to Section B for electrical connections. Refer to electrical drawings inside your operator control box or generic drawings MS100-IM-WW or MS300-IM-WW in the electrical drawings section at the end of this manual.
- C) Full Feature logic board Smart 10.0 (UL325 (2010) compliant).** Refer to Section C for electrical Connections and logic board instructions. Refer to electrical drawings inside your operator control box or generic drawings MSL100-110V-WW, MSL100-220V-WW, MSLC100-WW, MSL300-WW or MSLC300-WW in the electrical drawings section at the end of this manual.

IMPORTANT

- EACH INDIVIDUAL COMMERCIAL DOOR OPERATOR MUST HAVE IT'S OWN DEDICATED POWER SUPPLY
- MICANAN HIGHLY RECOMMENDS THAT EACH INDIVIDUAL COMMERCIAL DOOR OPERATOR HAVE AN EXTERNAL CIRCUIT BREAKER OR FUSED DISCONNECT

WARNING

COMPARE AVAILABLE POWER SUPPLY VOLTAGE TO OPERATOR NAMEPLATE PRIOR TO ELECTRICAL CONNECTION. FAILURE TO CONNECT APPROPRIATE POWER SUPPLY VOLTAGE MAY CAUSE SERIOUS DAMAGE TO OPERATOR.

Refer to electrical diagrams inside control box cover or at the end of this manual prior to connection of power supply or control station.

WARNING

TO REDUCE THE RISK OF INJURY OR DEATH:

ALL ELECTRICAL CONNECTIONS SHOULD BE MADE BY A QUALIFIED SERVICE PERSON

DO NOT ATTEMPT TO MAKE ELECTRICAL CONNECTIONS TO OPERATOR UNLESS
POWER SUPPLY HAS BEEN DISCONNECTED AT FUSE BOX

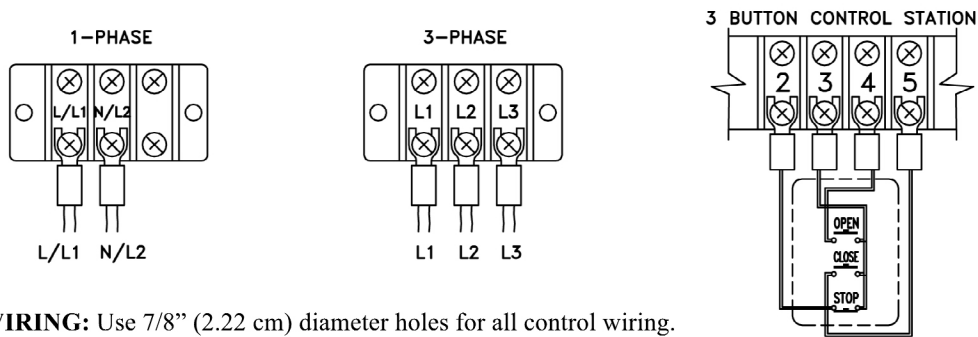
OPERATOR MUST BE CONNECTED IN ACCORDANCE TO LOCAL ELECTRICAL CODES
AND GROUNDED TO GREEN GROUND LUG LOCATED INSIDE CONTROL BOX

SECTION A: *PRO-GH, PRO-GHC* Standard relay logic controls (not UL325 (2010) compliant, not available in US)

CONNECTION OF POWER SUPPLY AND CONTROL STATION

POWER WIRING: Use 1-1/8" (2.85 cm) diameter holes for all power wiring.

1. Single phase: Connect single phase power supply to terminals L/L1 (line) and N/L2 on three-pole power terminal strip.
2. Three-phase: Connect three phase power supply to terminals L1, L2 and L3 on three-pole power terminal strip.

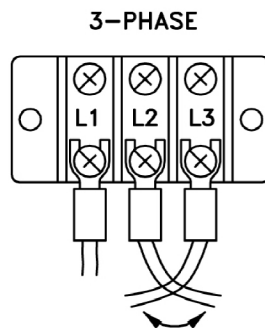


CONTROL WIRING: Use 7/8" (2.22 cm) diameter holes for all control wiring.

Note: Do not run control wires and power wires in same conduit.

- Install control station within clear sight of door but away from all moving parts of door or hardware. Install Entrapment warning sign next to control station. Connect 3-button (open/close/stop) push button station to terminals 2, 3, 4 and 5. Refer to electrical diagram for connection of two 3-button stations.

NOTE: After electrical connections are made, manually move door to mid-position and, using the control station press the "Open" button for several seconds and then press the "Stop" button. If door did not move in correct direction verify wiring control station. For 3-phase operators, if door still moves in wrong direction reverse any two of the three incoming power supply leads to correct rotation.



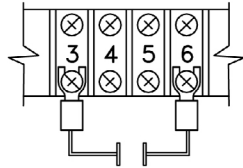
LIMIT SWITCH ADJUSTMENT

- Adjust Limit switches as explained in the "Limit switch adjustment section" further in this manual.

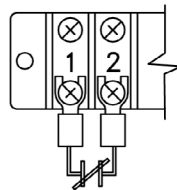
CONNECTION OF A REVERSING EDGE DEVICE AND CONTROL ACCESSORIES

1. **Reversing Edge device** (must be normally open contact):

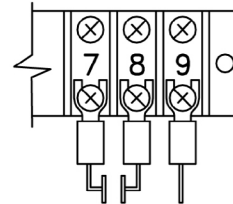
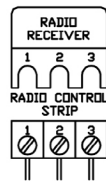
Note: If the door is controlled by any device or wired in such a manner that the door is not controlled by constant pressure on close then an appropriate reversing edge must be installed.



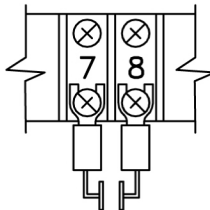
2. **External interlock:** Remove jumper between terminals 1 and 2 and wire a N.C. interlock contact between these two terminals.



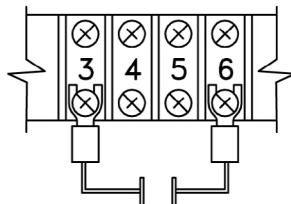
3. **Radio control receiver:** Wire standard radio receiver to separate radio strip on side of control box or to terminals 7, 8 and 9 on control terminal strip inside control box.



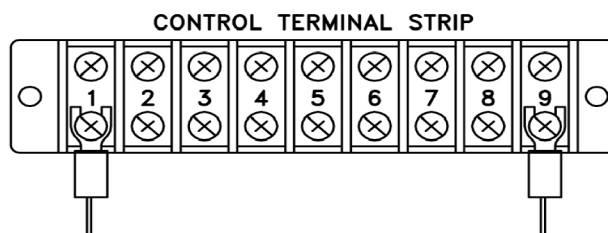
4. **Single button open/close device:** Wire to terminals 7 and 8 on control terminal strip.



5. **Loop detectors, standard photocells (with a N.O. contact) and other reversing devices:** Wire to terminals 3 and 6 on control terminal strip.



6. **24 Volt power:** Wire to terminals 1 and 9 on control terminal strip



SECTION B: PRO-GH(M), PRO-GHC(M) Relay logic controls with Interface Module (UL325 (2010) compliant)

Operator electrical connections and start-up instructions

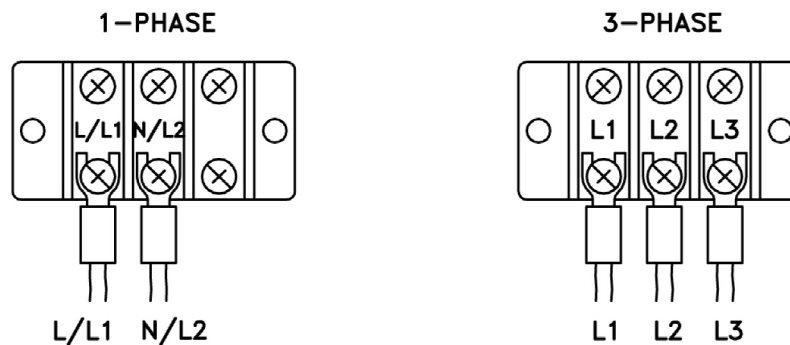
NOTE: THIS OPERATOR COMES WITH AN INTERFACE MODULE INTEGRATED INTO THE CONTROL CIRCUIT. THE PURPOSE OF THE INTERFACE MODULE IS TO ALLOW FOR FAILSAFE MONITORING OF A MICANAN COMPATIBLE SAFETY DEVICE AS PER UL 325 (2010) REQUIREMENTS.

Important: Follow these steps carefully and in the order shown

1) Connect Power supply:

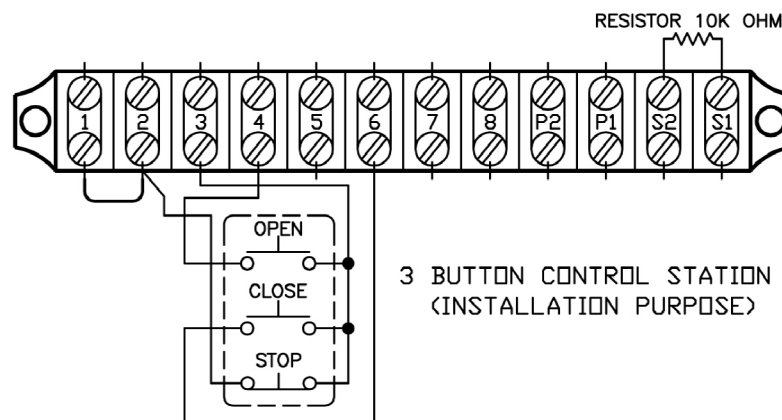
Single phase: Connect single phase power supply to terminals L/L1 and N/L2 on the 3-pole power terminal strip.

3-phase: Connect 3-phase power supply to terminals L1, L2 and L3 on the 3-pole power terminal strip.



2) Connect Push-button station for installation purposes (single phase or 3-phase):

Connect open/close/stop push button station to terminals T2 (stop), T3 (common), T4 (open) and T6 (temporary CP on close).

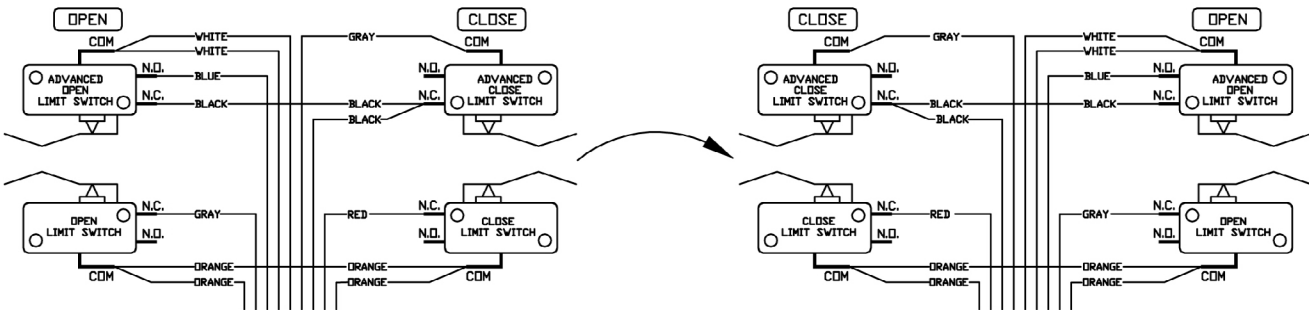


3) Verify motor direction:

After the electrical power connections are made and push button station is connected, manually move the door to mid-position. Press Close button for several seconds and then press stop button. If door did not move in correct direction (or if limit cams not moving in correct direction towards the close limit switch) see below:

Single phase operators: The operators leave the factory with correct motor and limit shaft direction according to standard door installations. However, for special fire door, thru- wall mounting or other special door applications, the motor direction and limit switch direction may need to be reversed. To reverse the motor rotation, interchange black and white wires going to motor on the reversing contactor.

3-phase operators: If door moves in wrong direction, turn off incoming power and reverse any two of the three incoming power supply leads to correct rotation. Press the open button and then activate the open limit to ensure door stops. If door does not stop, interchange grey and red wires on open and close limits. Interchange white and grey wires on advanced open and advanced close limits. Remove blue wire from advanced open limit and place it on N.O. pin of advanced close limit.



4) Adjust limit switch cams:

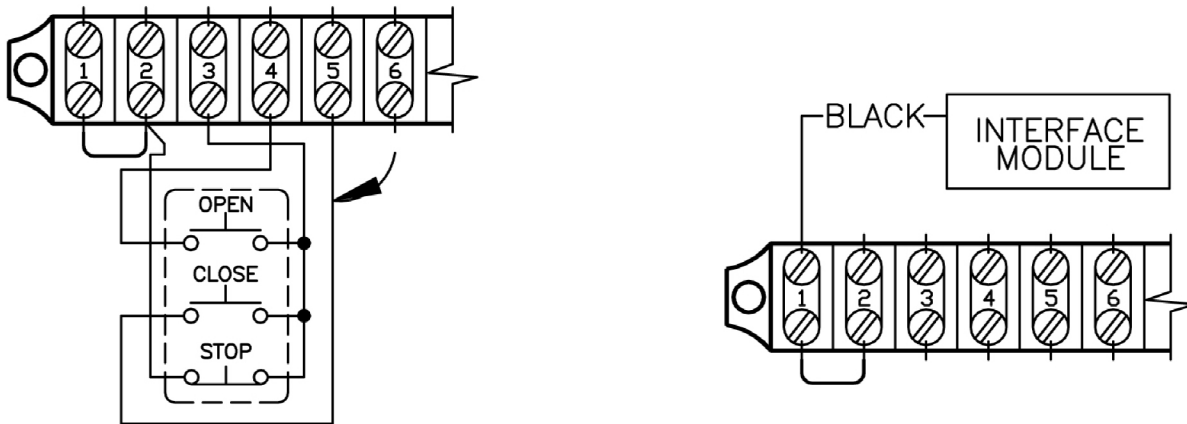
Using the open/close/stop push button station move door to fully closed and fully open positions and set limit cams to correct position. (See Limit adjustment section D further in this manual for complete detail on the end of travel limit adjustments).

5) Activate Interface module:

After adjusting the open and close limits and verifying the motor rotation, open the door to the full-open position using the open push button (Figure below on left).

At this point the close pushbutton wire must now be moved from terminal T6 to T5. Now connect the black wire (with blue label) to terminal T1 as shown in figure below on right.

Note: Ensure the door is in the full open position before connecting the black wire. If door is not in full open position and monitored photo-eyes or safety edge are not connected and operational then door will immediately move in the open direction.



6) Connect safety devices

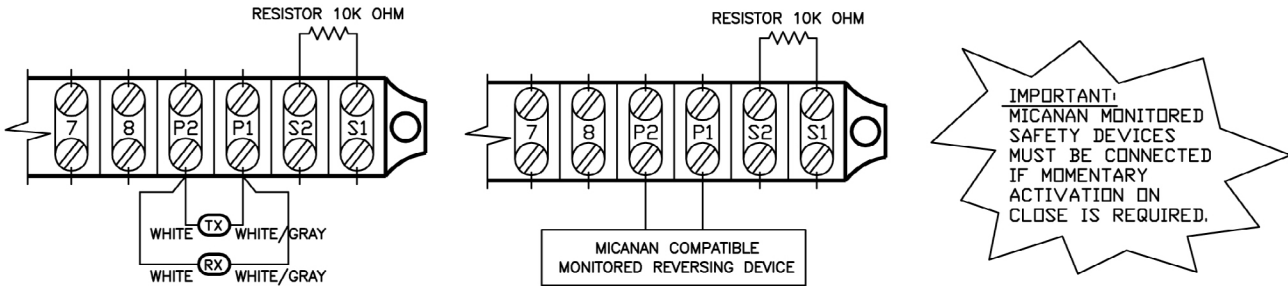
Failsafe feature: A monitored failsafe safety feature is built into the operator. The operator has provisions to connect one primary monitored safety device as well as one or more non-monitored safety device(s).

Primary monitored safety device:

MICANAN monitored failsafe photo beams or MICANAN compatible monitored failsafe devices must be connected to terminals P1 and P2 if momentary close on pushbutton is required (B2 mode). If not connected, door can only be closed by constant pressure on close pushbutton. If constant pressure on close pushbutton is removed before door reaches full closed position, then door reverses to full open.

Note: Only one monitored failsafe safety device can be connected across terminals P1 and P2.

Note: See section E for complete installation instructions for the Micanan N-1 or N-4 photocells or the FRABA photocells.



Secondary non-monitored safety device(s):

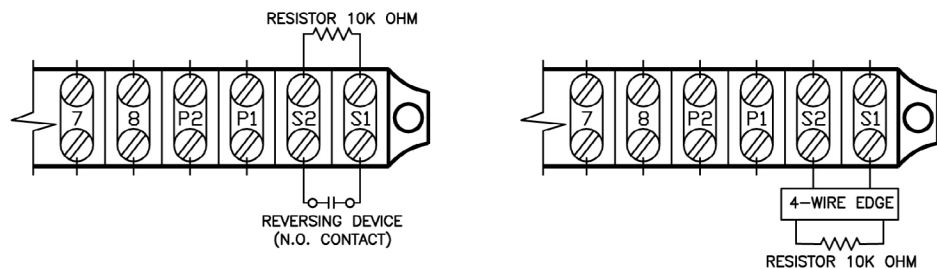
A standard 2-wire safety edge, non-monitored reflective or thru-beam photo eye or any other non-monitored reversing devices with a N.O dry contact can be connected to terminals S1 and S2.

Note: More than one secondary non-monitored safety device can be connected to terminals S1 and S2.

Important: Do not remove resistor that is factory installed across terminals S1 and S2 unless installing a 4-wire electric edge.

4-wire electric edge Connection

A standard 4-wire electric edge can be connected across S1 and S2 terminals as a secondary safety device. Remove the factory installed resistor across terminals S1 and S2 and install resistor across the black and white pair of wires from the electric edge and connect the remaining black and white wire to the S1 and S2 terminals.



7) Select Mode of Operation:

C2 mode of operation (momentary on open, constant pressure on close):

The operator is wired at the factory for momentary on open and constant pressure on close. For commercial operators, white wire is connected to terminal T6.

B2 mode of operation (momentary on open, momentary on close):

If momentary on close is required: For commercial operators, remove the white wire from terminal T6 and place it on terminal T3.

The operator functions in B2 mode only when the primary monitored safety device is connected and functioning properly. If it is not connected, operator will go into fault mode and door can only be closed by constant pressure on close and if constant pressure on close is removed before door reaches full close position, door reverses to full open.

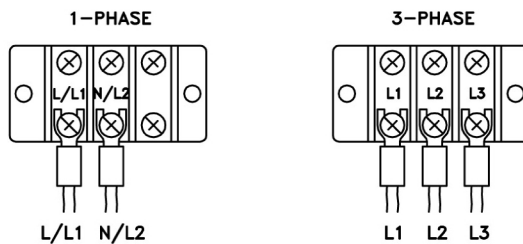
SECTION C: PRO-GH(E), PRO-GHC(E) Full feature logic board Smart 10.0 (UL325 (2010) compliant)

Note: The operator is shipped from the factory in the D1 mode setting (constant pressure open and close). The operator should remain in this mode until all connections and limit switch adjustments are completed.

POWER WIRING INSTRUCTIONS:

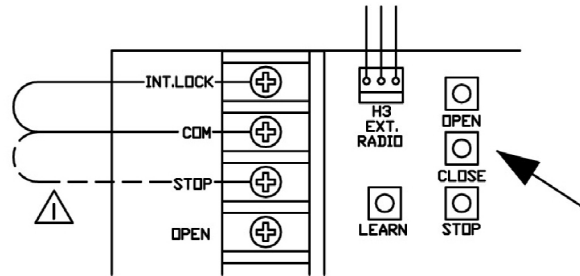
Connect primary power supply directly to the separate power terminal strip supplied using any of the 1-1/8" (2.85 cm) diameter holes provided on control box. Do not connect power supply directly to the circuit board.

1. Single phase: Connect single-phase power supply to terminals L/L1 and N/L2 on three-pole power terminal strip (110V or 220V 1-phase).
2. Three-phase: Connect three-phase power supply to terminals L1, L2 and L3 on three-pole power terminal strip (208V, 230V, 380V, 460V or 575V).



ON BOARD O/C/S PBS INSTRUCTIONS:

On-board Open, Close and Stop buttons are provided directly on the board for installation and troubleshooting purposes. In order to operate unit by on-board Open, Close, Stop buttons, the factory installed jumper (#1) between the COM and STOP terminals on the terminal strip must remain connected.



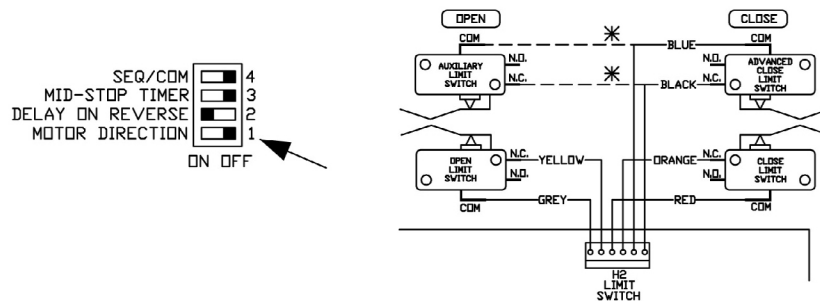
MOTOR DIRECTION VERIFICATION:

Make sure the mode of operation is selected to D1.

After electrical power connections are made, manually move door to mid-position. Using the on-board buttons press the "Open" button for several seconds and then press the "Stop" button. If door did not move in correct direction (or if limit cams not moving in correct direction towards the open limit switch) see below:

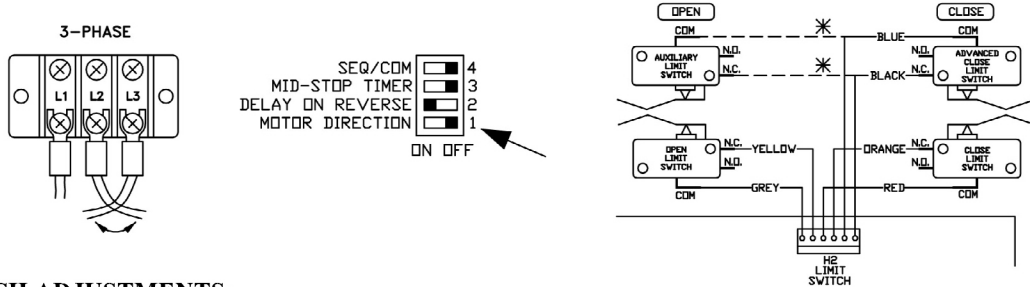
For single-phase operators: The operators leave the factory with correct motor and limit shaft direction according to standard door installations. However, for special fire door, through wall mounting or other special door applications, the motor direction and limit switch direction may need to be reversed. A dipswitch (Dip #1) is provided to reverse direction of motor and limit switch direction. If motor direction is reversed, the open and close limit switches are automatically reversed. However, the advanced close limit switch needs to be manually changed. Disconnect the 2 wires from the advanced closed limit switch and re-connect to the auxiliary limit switch provided.

Note: Ensure that when the on-board open button is depressed and the door moves in the correct open direction that activation of the open limit switch illuminates the "OPEN LIMIT" L.E.D and stops the door.



For 3-phase operators: If door moves in wrong direction, turn off incoming power and reverse any two of the three incoming power supply leads to correct rotation. Press the on board open button again. If door is going in the correct open direction, activate the open limit switch to ensure door stops. If door does not stop, turn off incoming power and interchange any two incoming power lines once again and slide dipswitch #1 to reverse motor direction. If motor direction is reversed, the open and close limit switches are automatically reversed. However, the advanced close limit switch needs to be manually changed. To do this, disconnect the 2 wires from the advanced limit switch and re-connect to the auxiliary limit switch provided.

Note: Ensure that when the on-board open button is depressed and the door moves in the correct open direction that activation of the open limit switch illuminates the “OPEN LIMIT” L.E.D and stops the door.



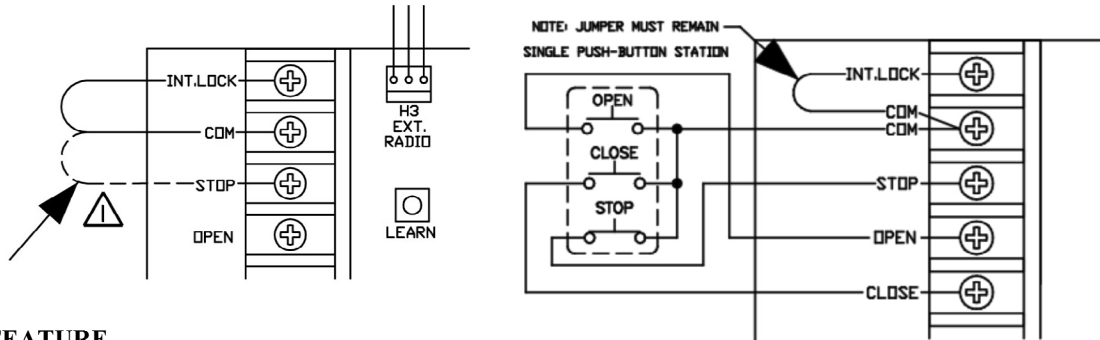
LIMIT SWITCH ADJUSTMENTS:

Once the motor rotation and limit cam direction have been verified, adjust the limit cam settings. Please note that when each limit switch is activated the corresponding LED will light up. Refer to operator installation manual for complete limit switch adjustment instructions.

CONNECTION OF EXTERNAL O/C/S PBS:

Connect O/C/S PBS as shown in diagram.

Note: Jumper #1 must be removed after the external O/C/S PBS has been installed.



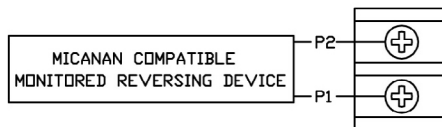
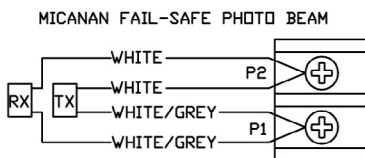
FAILSAFE FEATURE

A safety device failsafe feature is built into the logic board. The logic board has provisions to connect one primary monitored safety device as well as 1 or more secondary non-monitored safety device(s).

Primary monitored safety device:

MICANAN monitored failsafe photo beams or MICANAN compatible monitored failsafe devices must be connected to terminals P1 and P2 as primary monitored safety device. Primary monitored safety device must be connected if momentary activation on close is required in B2, T and TS modes. If it is not connected in B2, T and Ts modes, door can only be closed by constant pressure on close and if constant pressure is removed before door reaches full close position, door reverses to full open.

Note: Only one monitored failsafe device can be connected to terminals P1 and P2.



IMPORTANT!
MICANAN MONITORED SAFETY DEVICES MUST BE CONNECTED IF MOMENTARY ACTIVATION ON CLOSE IS REQUIRED.

Secondary non-monitored safety device(s):

A standard 2-wire safety edge, non-monitored photo beams or any other non-monitored reversing devices with a N.O contact can be connected to terminals S1 and S2 as secondary non-monitored safety device.

Note: More than one secondary non-monitored safety device can be connected to terminals S1 and S2.

Important: Do not remove the resistor that is factory installed across terminals S1 and S2 unless installing a 4-wire electric edge.

4-wire electric edge:

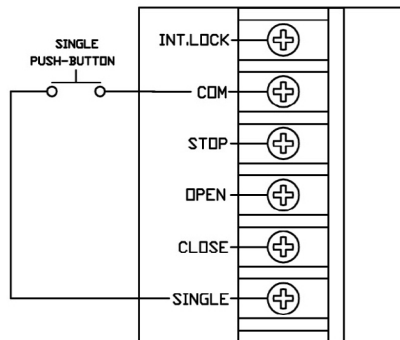
A standard 4-wire electric edge can be connected across S1 and S2 terminals as a secondary safety device.

Remove the factory-installed resistor across terminals S1 and S2 when using a 4-wire electric edge



CONNECTION OF EXTERNAL SINGLE-BUTTON DEVICE

Connect an external single-button as shown in diagram. Please refer to "Modes of operation" for the functionality of single-button.

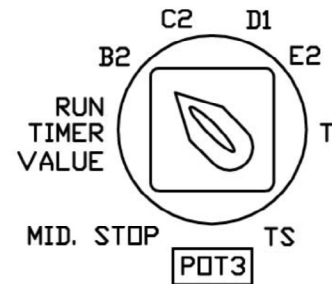


MODES OF OPERATION

All operators leave the factory in the D1 mode setting; please read all modes of Operation and determine which operational mode is desired

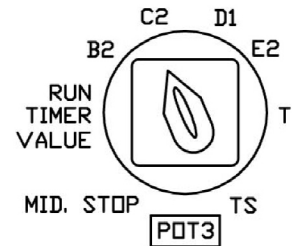
B2: (Momentary on open and close)

- Open Button: Momentary activation opens the door. When door is closing, momentary activation reverses the door (OPEN OVERRIDE). Momentary contact from mid-stop opens the door to full open position. Constant activation when door is opening, bypass mid-stop if enabled.
- Close button: Momentary on close.
- Stop button: Momentary activation stops the door.
- Single button device and single channel transmitter, 3-channel (1,2,3) transmitter:
 SEQ FUNCTION: Open/Stop/Close/Reverse.
 COMMERCIAL FUNCTION: Open/Close/Reverse.
- 3-button O/C/S radio transmitter: Same as open, close, stop buttons.
- Safety Devices: When door is closing, momentary activation reverses the door.
- Timer to close: N/A

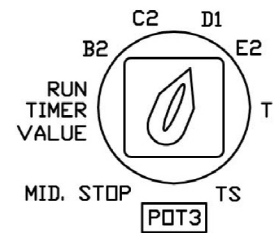


C2 (Momentary open, constant pressure close)

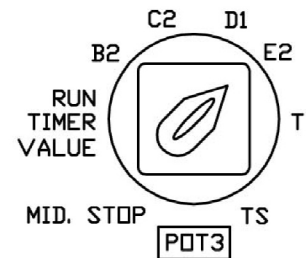
- Open Button: Momentary activation opens the door. When door is closing, momentary activation reverses the door (OPEN OVERRIDE). Momentary contact from mid-stop opens the door to full open position. Constant activation when door is opening, bypass mid-stop if enabled.
- Close button: Constant pressure on close. Door will stop when button is released
- Stop button: Momentary activation stops the door.
- Single button device:
 - SEQUENTIAL FUNCTION: Open/Stop/Constant pressure on close/stop.
 - COMMERCIAL FUNCTION: Open/Constant pressure on close/stop.
- Single channel transmitter, 3-channel (1,2,3) transmitter and 3-button O/C/S radio transmitter: Momentary activation opens the door. Momentary contact of OPEN button on 3-button (O/C/S) radio transmitter from mid-stop opens the door to full open position. Cannot close the door.
- Safety Devices: When door is closing, momentary activation reverses the door.
- Timer to close: N/A

**D1: (Constant pressure on open and close)**

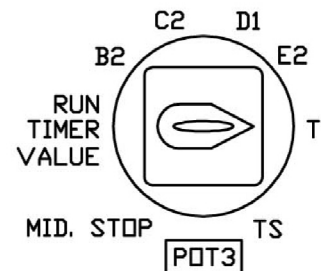
- Open Button: Constant pressure opens the door. Door stops when constant pressure is released. Constant pressure from mid-stop opens the door to full open position.
- Close button: Constant pressure on close. Door will stop when button is released
- Single button device, single channel transmitter, 3-channel (1,2,3) transmitter and 3-button (O/C/S) radio transmitter: N/A
- Safety Devices: When door is closing, momentary activation reverses the door.
- Timer to close: N/A

**E2: (Momentary on open, constant pressure on close with roll-back feature)**

- Open Button: Momentary activation opens the door. When door is closing, momentary activation reverses the door. Momentary contact from mid-stop opens the door to full open position. Constant activation when door is opening, bypass mid-stop if enabled.
- Close button: Constant pressure on close. Door reverses to full open when button is released.
- Single button:
 - SEQUENTIAL FUNCTION: Open/Stop/Constant pressure on close/Stop.
 - COMMERCIAL FUNCTION: Open/Constant pressure on close/Reverse.
- Single channel device, 3-channel (1,2,3) transmitter and 3-button (O/C/S) radio transmitter: Momentary activation opens the door. Momentary contact of OPEN button on 3-button (open/close/stop) radio transmitter from mid-stop opens the door to full open position. Cannot close the door.
- Safety Devices: When door is closing, momentary activation reverses the door.
- Timer to close: N/A

**T: (Momentary on open and close, timer to close, SAFETY ACTIVATION & STOP BUTTON DISABLE TIMER)**

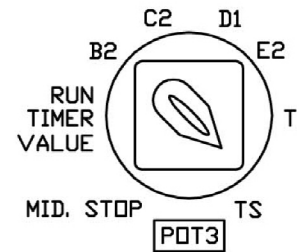
- Open Button: Momentary activation opens the door. When door is closing, momentary activation reverses the door. Momentary contact from mid-stop opens the door to full open position. Momentary contact at full-open refreshes the timer if enabled at full open. Momentary contact at full open position re-activates the timer if timer is disabled previously by stop button or safety device. Constant activation when door is opening, bypass mid-stop if enabled.
- Close button: Momentary on close.
- Stop button: If door is opening or closing, momentary activation stops the door. Momentary activation while timer is counting at mid-stop or full open de-activates the timer.
- Single button device, single channel and 3-channel (1,2,3) radio transmitter:
 - SEQUENTIAL FUNCTION : Open/Stop/Close/Reverse..
 - COMMERCIAL FUNCTION: Open/Reverse/Refresh timer.
- 3-button (O/C/S) transmitter: Same as open, close, stop buttons.
- Safety Devices: When door is closing, momentary activation reverses the door to full open AND DISABLES TIMER.



- Timer to close: Closes the door from mid-stop or full open. Momentary activation of stop button will de-activate the timer. When door is closing, momentary activation of safety devices will reverse the door to mid-stop (if enabled) or full open and de-activates the timer. Timer resumes its normal operation upon momentary activation of open push button or once the close cycle is completed. If mid-stop is enabled and “Timer from mid-stop only” dip-switch is ON, timer is enabled only from mid-stop and disabled from full open. If mid-stop is enabled and “Timer from mid-stop only” dip-switch is OFF, timer is enabled from full open and mid-stop.

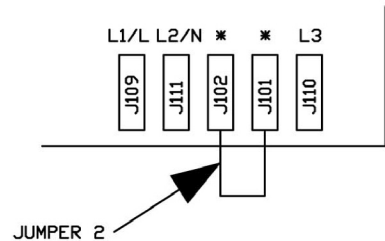
TS: (Momentary on open and close, timer to close secure, STOP BUTTON DISABLES TIMER)

- Open Button: Momentary activation opens the door. When door is closing, momentary activation reverses the door. Momentary contact from mid-stop opens the door to full open position. Momentary contact at full-open refreshes the timer if enabled at full open. Momentary contact at full open position re-activates the timer if timer has been disabled previously by stop button. Constant activation when door is opening, bypass mid-stop if enabled.
- Close button: Momentary on close.
- Stop button: If door is opening or closing, momentary activation stops the door. Momentary activation while timer is counting at mid-stop or full open de-activates the timer.
- Single button device, single channel transmitter and 3-channel (1,2,3) radio transmitter:
 SEQUENTIAL FUNCTION: Open/Stop/Close/Reverse.
 COMMERCIAL FUNCTION: Open/Reverse/Refresh timer.



- 3-button O/C/S radio transmitter: Same as open, close, stop buttons.
- Safety Devices: When door is closing, momentary activation reverses the door. Momentary activation refreshes the timer to close.
- Timer to close: Closes the door from mid-stop or full open. Momentary activation of stop button will de-activate the timer. Timer resumes its normal operation upon momentary activation of open push button or once the close cycle is completed. If mid-stop is enabled and “Timer from mid-stop only” dip-switch is ON, timer is enabled only from mid-stop and disabled from full open. If mid-stop is enabled and “Timer from mid-stop only” dip-switch is OFF, timer is enabled from full open and mid-stop.

Warning: When replacing the logic board in a single-phase operator, Make sure that Jumper 2 is installed properly before operating the door. Failure to do this will damage the logic board.



PROGRAMMING INSTRUCTIONS:

NOTE: ALL PROGRAM FUNCTIONS CAN BE INITIATED BY TURNING THE SELECTOR SWITCH TO THE DESIRED SETTING AT ANY POINT DURING OPERATION EXCEPT FOR THE MID STOP and RUN TIMER MODE, PROGRAMMING MUST START FROM THE FULL CLOSED POSITION.

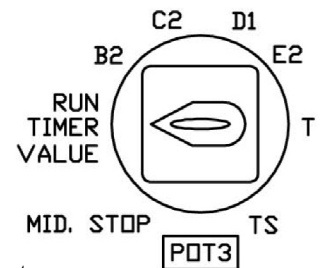
RUN-TIMER SETUP

Run-timer is the maximum amount of time the motor will run upon receiving an open or close command. The factory default value for run-timer is 45 seconds.

Note: Limits must be set prior to setting run timer.

Modify the run-timer from factory default:

1. Close the door to full close position.
2. Set the selector dial to “Run-timer” position. The “Delay On Close Timer” LED should blink.
3. Press open button. Wait until door reaches full open position. The run timer value is set to the time taken for the door to travel from full close position to full open position plus 5 seconds.
4. Set the selector dial to the desired mode of operation.



Modify the run-timer to factory default:

1. Close the door to full close position.
2. Set the selector dial to “Run-timer” position.
3. Press stop button. The run-timer is modified to the factory default value. Then set the selector dial to the desired mode of operation.

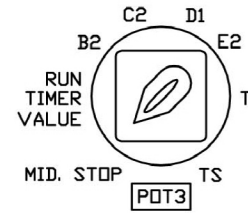
MID-STOP SETUP:

Mid-stop feature can be used to open the door to a preset point prior to full open position.

Note: Limits must be set prior to setting mid-stop position.

To Activate mid-stop:

1. Close the door to full close position.
 2. Set the selector dial to “Mid-stop” position. “Mid-stop” LED starts blinking.
 3. Press open push button. Door opens. Once the door reaches the desired mid-stop position, stop the door by activating stop push button.
 4. Set the selector dial to the desired mode of operation.
- Note: When door opens to the programmed mid-stop position, “Mid-Stop” LED will illuminate.

**To De-activate the mid-stop position:**

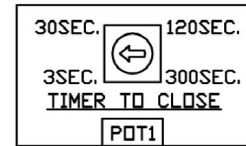
1. Close the door to full close position.
2. Set the selector dial to “Mid-stop” position.
3. Press the stop button, Mid-stop is de-activated.

Modify mid-stop position:

To modify the current mid-stop position, follow the same steps to activate mid-stop. The new mid-stop position will override the old mid-stop position.

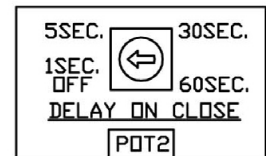
TIMER TO CLOSE SETUP:

Timer to close is enabled only in TS and T modes of operation. To adjust the timer value turn POT1 clockwise to the desired value. The minimum value for timer to close is 3 seconds and the maximum value is 300 seconds.

**DELAY ON CLOSE SETUP** (only for use with optional apartment board):

Delay on close timer can be used to delay the closing of the door in B2 and TS modes of operation. This timer is de-activated in C2, D1, E2 and T modes of operation. Delay on close timer is OFF when the “Delay on close” dial is set to OFF position. To adjust this timer, rotate the dial clockwise to the desired value. The minimum value for delay on close timer is 1 second and the maximum value is 60 seconds. It is recommended to use this feature in apartment applications where RED and GREEN traffic lights are used.

NOTE: In TS mode, the “Delay on close” timer starts only once the “Timer to close” has finished counting. Unless a delay on close is required this dial should be rotated to the OFF position. If left in any other position but OFF, activation of close button will delay to POT2 amount of time.

**ON-BOARD RECEIVER PROGRAMMING**

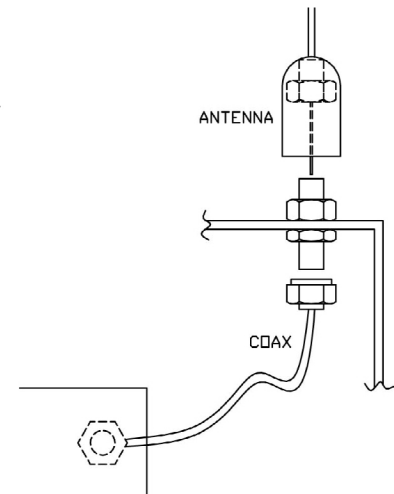
This logic board has a built-in 372 MHz radio receiver and can only be used with MICANAN single button, 3-button (OPEN/CLOSE/STOP) and 3-channel radio transmitters.

INSTALLING THE ANTENNA**Direct Connection:**

Attach the antenna when supplied with the operator to the F connector on the control box. For best reception, keep antenna wire straight and away from metal objects.

Indirect connection (Mounting the antenna at a remote location):

1. Connect coax extension cable (optional) to the F connector on the control box.
2. Route cable inside metal enclosure.
3. Route and secure cable away from moving parts.
4. Mount antenna holder (not provided) outside enclosure.
5. Attach antenna to extension wire.
6. Position antenna wire straight. For best reception, keep antenna away from metal.

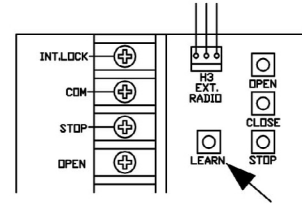


Note: Do not route coax cable near any moving parts of the operator. If necessary, secure coax wire away from any moving parts.

PROGRAMMING THE ON-BOARD RADIO RECEIVER

Warning: During programming, door operator will activate. Keep people and objects away from door.

1. Connect power to door operator.
2. Press and release the learn button once. The receiver's LED will turn on.
3. To program a single button transmitter, press the button on the transmitter. The receiver's LED will blink twice indicating a successful programming.
4. Press the button on the transmitter once more to confirm operation of the door operator.
5. To program a 3-channel (1,2,3) transmitter, press any of the 3 buttons on the transmitter. The receiver's LED will blink twice indicating a successful programming. Press the same button on the transmitter to confirm operation of the door operator. This button is now associated with that particular receiver. You can repeat the programming process for the other two buttons to control two other receivers.
6. To program a 3-button (O/C/S) transmitter, press OPEN button on the transmitter. The receiver's LED will blink twice indicating a successful programming. Press the OPEN button on the transmitter to confirm operation of the door operator. OPEN, CLOSE and STOP buttons on the transmitter can be used to open, close and stop the operator respectively.
7. Test range of transmitter. Repositioning antenna may provide greater range.
8. Repeat transmitter-programming steps for additional transmitters.



OPERATION:

1. Press and release the button on MICANAN transmitter.
2. Receiver LED will light momentarily and door will cycle.

TO ERASE ALL LEARNED TRANSMITTERS:

1. Press and hold down the LEARN button.
2. After 5 seconds, the LED will blink for 5 seconds.
3. Release the LEARN button during the time LED is blinking.
4. After you released the button, the LED will blink 5 times indicating all transmitters are erased from the receiver's memory.

Note: A maximum of 25 transmitters can be programmed for the same receiver. If more than 25 are required, consult factory.

REPLACING REMOTE CONTROL BATTERIES:

The batteries (lithium, 3V) should produce power for up to 5 years. To replace the battery, open the transmitter by removing the screws on the back of the transmitter. Match the positive and negative terminals of the battery to the positive and negative terminals of the transmitter.

Note: The receiver and transmitter comply with part 15 of the FCC rules with RSS-210 of industry Canada. Operation is subject to the following two conditions: (1) this device may not cause harmful interference, and (2) this device must accept any interference received, including interference that may cause undesired operation.

Note: If an external radio-receiver (MICANAN or other) is used instead of the built-in radio receiver, it is highly recommended to disconnect the co-axial cable from the logic board.

Note: When using any external receiver, the Micanan on-board receiver should not be used.

DIPSWITCH SETUP

Dip-switch	ON	OFF	NOTE
SEQ/COM	Single button and radio in SEQ mode	Single button and radio in COM mode	
Mid-stop timer	Timer is enabled from mid-stop only	Timer is enabled from both mid-stop and full open	T or TS mode must be selected to enable a timer for mid-stop
Delay on reverse	Delay on reverse is 1.5 seconds	Delay on reverse is 0.5 seconds	Micanan recommends 1.5 sec delay on reverse for all applications
Motor direction	Reverse motor direction	Standard motor direction	See Note ** below

NOTE: If motor direction is reversed, the open and close limit switches are automatically reversed. However, the advanced close limit switch needs to be manually changed. To do this, disconnect the 2 wires from the advanced closed limit switch and re-connect to the auxiliary limit switch provided.

STATUS LED

LED	Status	Cause
Fault	ON	-Primary safety devices not connected to P1 & P2 or not functioning properly - Safety devices are activated - 10k Ohm resistor (between S1 & S2) removed or faulty
Fault	Blinking	- Interlock is activated. - Interlock jumper is not connected.
Run-out timer	ON	- Run-out timer has elapsed
Delay on close timer	Blinking	- Delay on close timer is counting. - Selector dial is set to Run-timer.
Timer to close	Blinking	Timer to close is counting.
Safety/Photo	ON	-Primary safety devices not connected to P1 & P2 or not functioning properly - Safety devices are activated - 10k Ohm resistor (between S1 & S2) removed or faulty
Mid. Stop	ON	Door is at Mid-stop position.
Close Limit	ON	Close limit switch is activated.
Open Limit	ON	Open limit switch is activated.
Stop PB	ON OFF	- Stop button connected and functioning - Stop push button is activated (or the stop circuit is open).
Close Relay	Blinking	- Door is closing. - Close relay is activated.
Open Relay	Blinking	- Door is opening. - Open relay is activated.
Power	ON	24 VAC power to logic board is ON.

FAULT [] []
 RUN-OUT TIMER [] []
 DELAY ON CLOSE TIMER [] []
 TIMER TO CLOSE [] []
 SAFETY/PHOTO [] []
 MID. STOP [] []
 CLOSE LIMIT [] []
 OPEN LIMIT [] []
 STOP P.B. [] []
 CLOSE RELAY [] []
 OPEN RELAY [] []
 POWER [] []

SECTION D: For all operator control types

LIMIT SWITCH ADJUSTMENT

Adjustment of door travel is done by moving the limit cams on the threaded shaft. The position of the 4 limit switches are factory adjusted and should not be altered. The limit switches are:

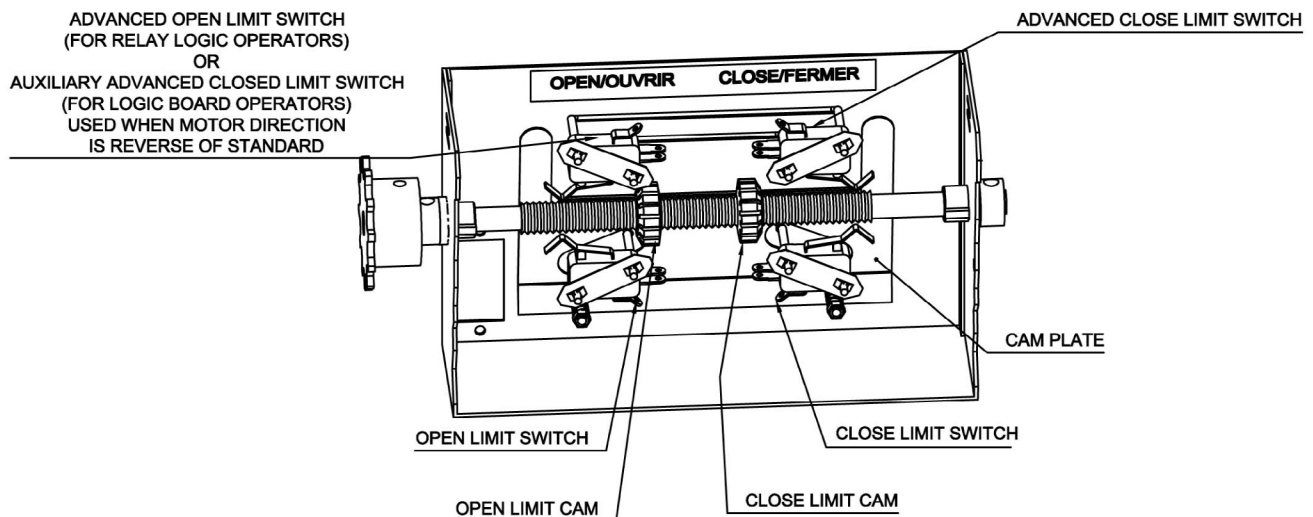
- **“Open” limit switch:** End of door travel in the fully open position
- **“Closed” limit switch:** End of door travel in the fully closed position
- **“Advanced Open” or “Auxiliary advanced closed” limit switch:**
 - A) For relay logic operators this advanced open limit switch is used for open/close devices or timer to close features.
 - B) For logic board this auxiliary closed limit switch is used for open/close devices used when motor direction is reverse of standard.
- **“Advanced Closed” Limit switch:** Used to prevent reversing device from reversing door when door is almost fully closed.

⚠ WARNING

TO REDUCE THE RISK OF INJURY OR DEATH:
DO NOT ATTEMPT TO MAKE LIMIT SWITCH ADJUSTMENTS
UNLESS POWER HAS BEEN ELECTRICALLY DISCONNECTED

To adjust door travel:

1. **Open cycle:** Depress cam plate and spin “Open” limit cam away from “Open” limit switch to increase door travel or spin “Open” limit cam towards the “Open” limit switch to decrease door travel. After each adjustment ensure that cam plate fully engages in slots of both limit nuts.
2. Adjust “Open” limit cam so that door stops at the desired fully open position.
3. **Close cycle:** Depress cam plate and spin “Close” limit cam away from “Close” limit switch to increase door travel or spin “Close” limit cam towards the “Close” limit switch to decrease door travel. After each adjustment ensure that cam plate fully engages in slots of both limit nuts.
4. Adjust “Close” limit cam so that door stops at the desired fully closed position.



SECTION E: For Operators with Interface Modules or Logic boards

INSTALLATION OF MICANAN N-1 OR N-4 PHOTOCELLS

Installation Safety Precautions

WARNING: MICANAN MK00649 NEMA-1, MK00650 NEMA-4 and FRABA MK00697 NEMA 4/4X infrared photo systems are for use only with MICANAN logic board operators or relay logic operators equipped with the Micanan failsafe interface module. Use of this device on other than recommended operators can lead to severe or fatal injury. Follow these instructions carefully.

IMPORTANT: *For momentary activation on close, the MICANAN photobeams (or a Micanan 2-wire monitored edge), must be installed as part of the operator system. If a Micanan 2-wire monitored edge or the MICANAN infrared photobeam system is not installed (or not operating correctly), the operator will only operate in fault mode (constant pressure to close).*

READ and FOLLOW all installation instructions.

1. Before installing the photo beam, read the door or gate operator's instruction manual fully, so you are aware of all of the unit's functions and features.
2. Wear protective gloves and eye protection when using tools.
3. Before installing photo beam, disconnect all power to door operator to prevent unintended operation and have the door full open or close.
4. Do not reconnect power to the door or gate operator until instructed to do so.
5. Only install photobeams on a properly functioning door or gate operator.
6. Installation and wiring must comply with local building and electrical codes. This device is not intended and must not be installed in an explosive environment.

WARNING: Keep fingers and other body parts away from all moving parts of the door and gate operator system while the system is being operated.

WARNING: To prevent unintended operation, disconnect power to the door or gate operator prior to installing the photobeam system.

MICANAN N-1 PHOTOCELL (MK00649)

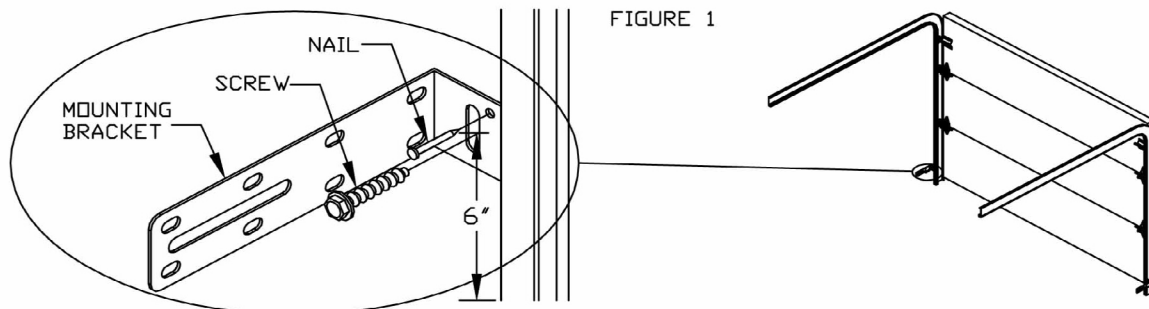
Note: The MK00649 photocell system has a maximum range of 24 ft. Sun visor protector optional.

Installation

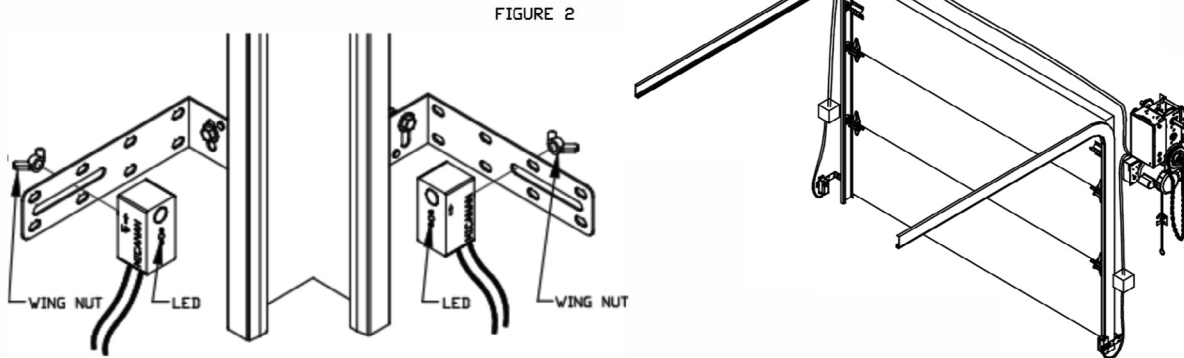
Note: Photo beams should be mounted as close to the door track inside the door to offer maximum entrapment protection.

Wall installation:

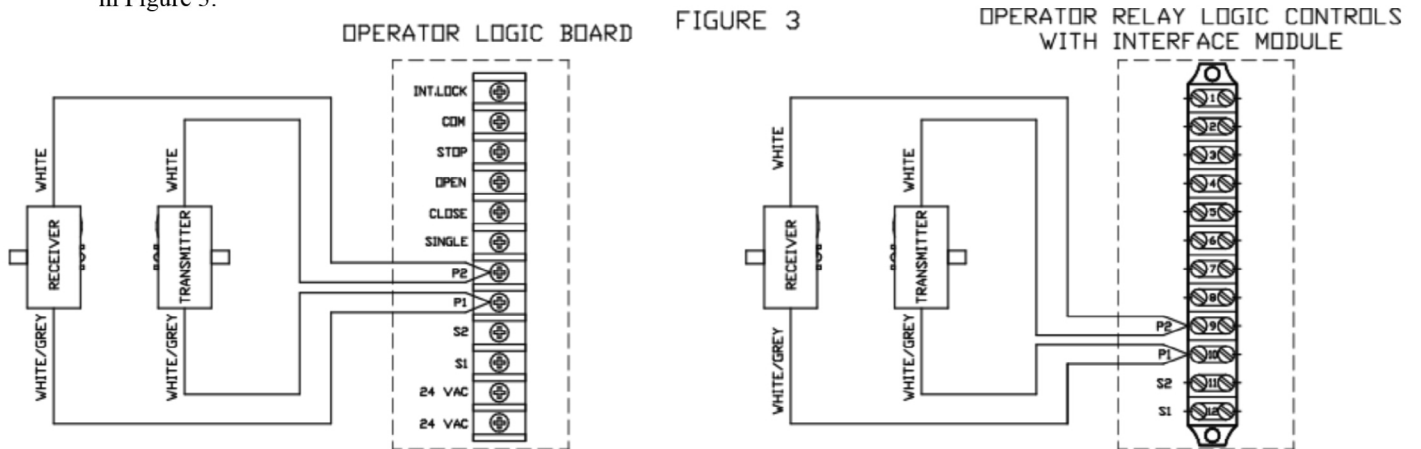
1. Select a location on the wall no more than 6 inches from the floor to install wall mounting brackets on the left and right side of the door. Both brackets must be mounted at the same height for proper alignment.
2. Drill holes in the wall and attach brackets to the wall using screws and nails provided as shown in Fig. 1.



- 3- Using the wing nuts, attach the receiver and transmitter of the photo system to the mounting brackets (with arrow pointing up). Note that the receiver and transmitter can be installed on the left side or right side of the door.
- 4- Adjust the position of the transmitter and receiver on the mounting brackets as shown in figure 2. _____ and transmitter to the



- 5- Pair the two white wires and the two white/grey wires together from transmitter and receiver.
- 6- Connect these paired wires to the P1 and P2 terminals on the logic board (or interface module if applicable) as shown in Figure 3.



MICANAN N-4 PHOTOCELL (MK00650)

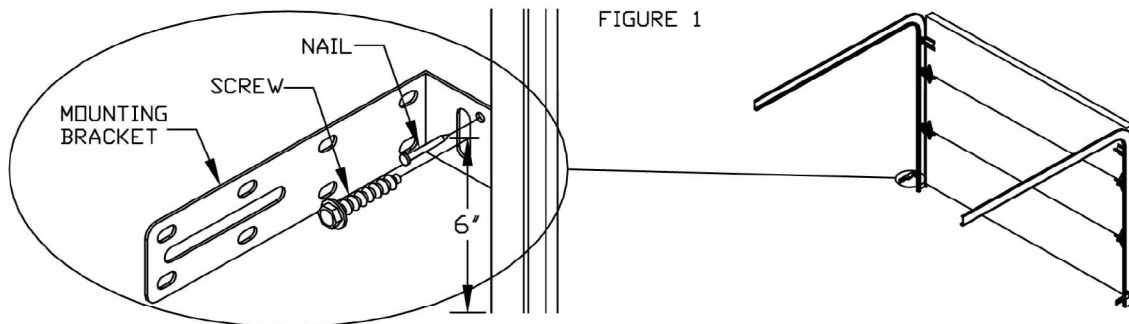
Note: The MK00650 photocell system has a maximum range of 24 ft. Sun visor protector optional.

Installation

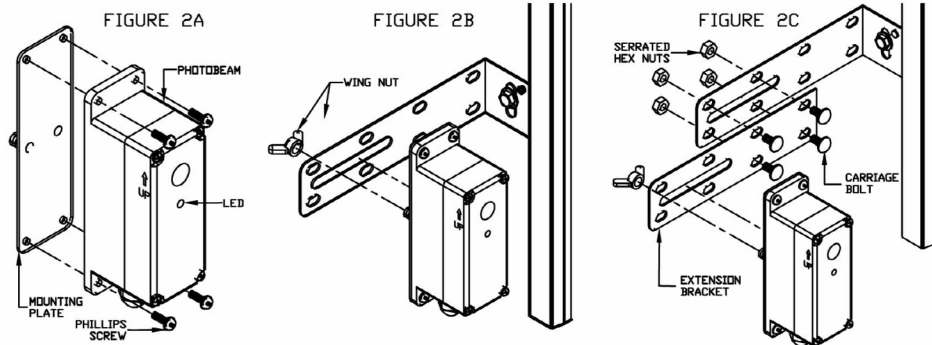
Note: Photo beams should be mounted as close to the door track inside the door to offer maximum entrapment protection.

Wall installation:

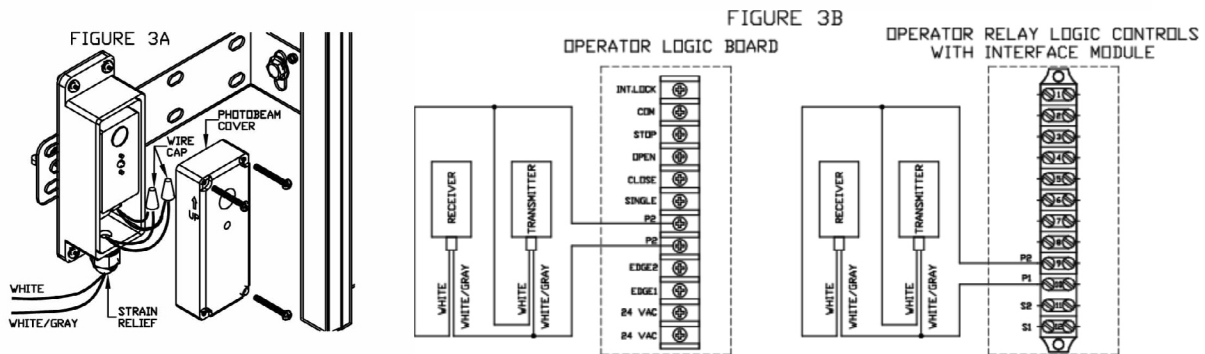
1. Select a location on the wall no more than 6 inches from the floor to install wall mounting brackets on the left and right side of the door. Both brackets must be mounted at the same height for proper alignment.
2. Drill holes in the wall and attach brackets to the wall using screws and nails provided as shown in Fig. 1.



- Using the 8 phillips head screws, attach the receiver and the transmitter to the two mounting plates (Fig 2A).
- Using the wing nuts, attach the receiver and the transmitter of the photo system to the mounting L-brackets (with arrow pointing up) as shown in Fig 2B. Note that the receiver and transmitter can be installed on the left or right side of the door. For applications requiring the photobeams to be further away from the wall, use the extension brackets provided as shown in Fig 2C



- Adjust the position of the transmitter and receiver on the slot of the brackets and tightly secure the wing nuts
- Loosen the 4 fastening screws and remove the cover from the photobeam transmitter and receiver housings and insert electrical wire through the strain relief (Fig 3A). Pair the two white/grey wires together from transmitter and receiver
- Connect these paired wires to the P1 and P2 terminals on the logic board (or interface module if applicable) as shown in Fig 3B. Use minimum 18 gauge wires and secure the wires to wall or ceiling.



For Micanan Nema-1 and Nema-4 photobeams:

Aligning the photo beams:

- Turn the power on to the operator. If the transmitter and receiver are installed properly, the lights on both the transmitter (red L.E.D.) and receiver (green L.E.D.) will be ON.
- If the photo beams are not aligned properly, the receiver light (green) is OFF. Adjust the position of the transmitter and/or the receiver on the slot of the mounting bracket until the light on the receiver is ON and then secure to the bracket.

Photo system operation:

MICANAN photo beams must be connected for the door to close in momentary mode (unless a MICANAN monitored 2-wire edge is connected). When the photo system is properly installed and aligned, the infrared beam will detect any obstruction in the path of the beam. Upon detecting an obstruction, closing door will stop and reverse to full open. The MICANAN operator control circuit continuously monitors the correct operation of the photo system. If the photo beams are not connected or not functioning properly, the operator will go into fail-safe mode and closing door will reverse to full open. In fail-safe mode door can only be closed by constant pressure on close.

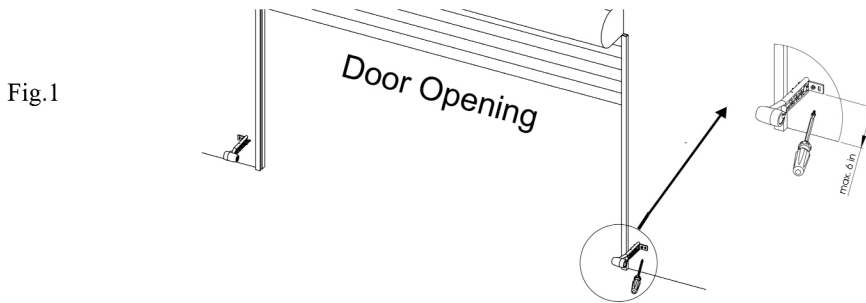
To test the photo system:

- Open the door to full open position.
- Close the door.
- When door is closing, obstruct the beam. The door should stop and reverse.

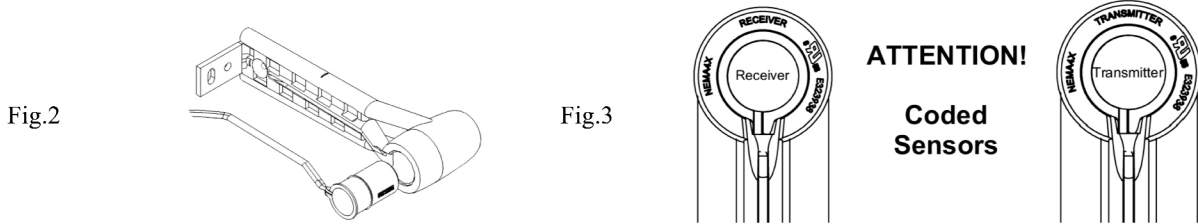
FRABA N-4/4X THRU-BEAM PHOTOCELL (MK00697)

Note: The MK00697 photocell system has a maximum range of 45 ft. Sun visor protector optional.

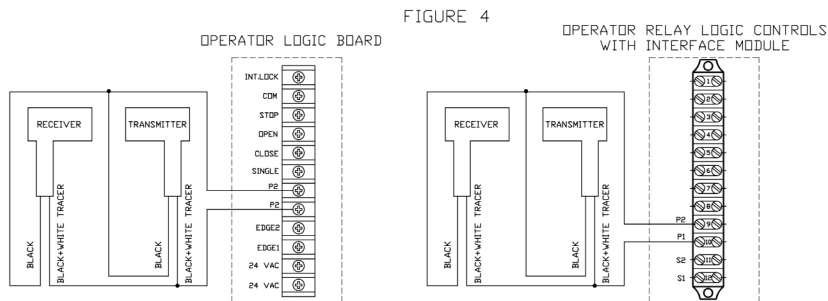
1. Select a location on the wall no more than 6 inches from the floor to install wall mounting brackets on the left and right side of the door. Both brackets must be mounted at the same height for proper alignment.
2. Drill holes in the wall and attach brackets to the wall using screws provided as shown in Fig. 1.



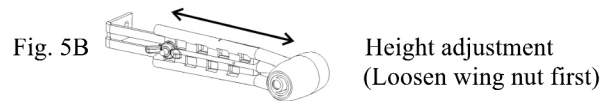
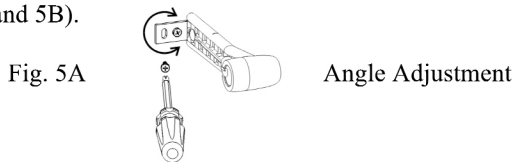
3. Plug sensors into flexible adapters as shown in Fig. 2. Please note that the 2 brackets are not identical. The receiver (Rx) must be installed into the receiver adapter and the transmitter (Tx) must be installed into the transmitter adapter (Fig. 3).



4. Pair the two black and the two black with white tracer wires together from transmitter and receiver. Connect these paired wires to the P1 and P2 terminals on the logic board (or interface module if applicable) as shown in Fig 4. Use minimum 18 gauge wires and secure the wires to wall or ceiling.



5. Turn the power on to the operator. Align transmitter and receiver by adjusting angle and height of the fixture (Fig. 5A and 5B).



6. Utilize LEDs on photocells for alignment and trouble shooting. Make sure to tighten screws and wing nuts after photocells are aligned.

- Red LED (ON), Green LED (ON): Normal operation
- Red LED (OFF), Green LED (OFF): No power. Verify wiring
- Red LED (Blinking twice), Green LED (ON): Bad Alignment, or Obstructed Beam, or Rx defective
- Red LED (Blinking twice), Green LED (OFF): Check power and wiring to Rx, or Rx defective
- Red LED (Blinking three times), Green LED (ON): Rx receiving sunlight (or interference). Install visor or interchange position of transmitter and receiver to reduce sunlight affecting receiver.

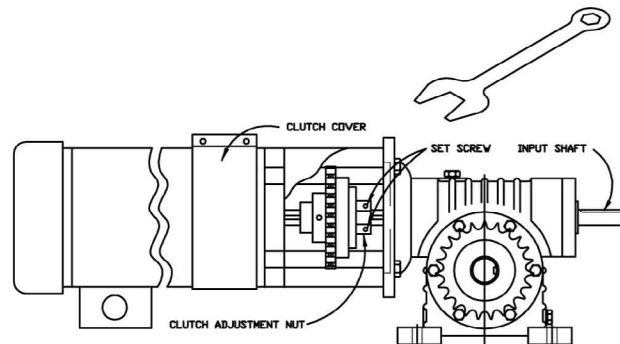
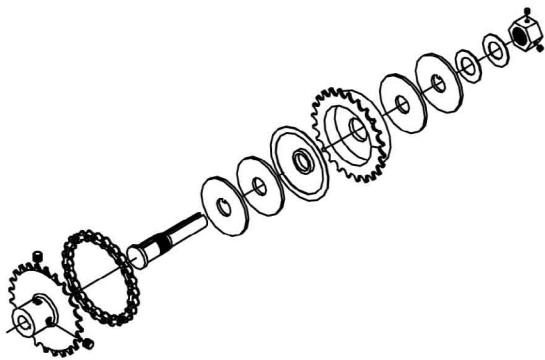
To test the photo system: Open the door to full open position. Close the door. When door is closing, obstruct the beam. The door should stop and reverse.

CLUTCH ADJUSTMENT

IN-LINE CLUTCH: If an optional In-line Clutch was ordered with your operator:

1. Loosen bolts on clutch cover and slide cover towards motor to access clutch.
2. Loosen the two set screws on clutch adjustment nut.
3. Rotate clutch nut counterclockwise (loosen) until there is insufficient tension to permit clutch to drive door.

NOTE: When adjusting Nut, make sure to secure input shaft to not allow shaft to rotate when tightening or loosening nut.
4. Gradually tighten clutch nut until the tension is sufficient to permit clutch to drive door smoothly but will allow clutch to slip if door is obstructed. It should be possible to stop moving door by hand if clutch is properly adjusted.
5. Tighten the 2 set screws after each time the unit is tested for clutch adjustment. After adjustment is completed make sure set screws are locked in place. Re-install clutch cover.

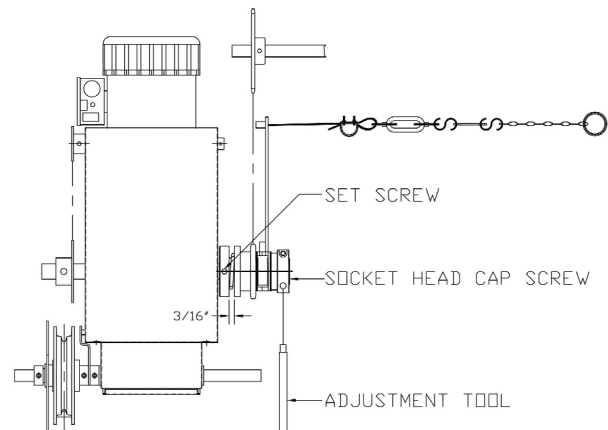
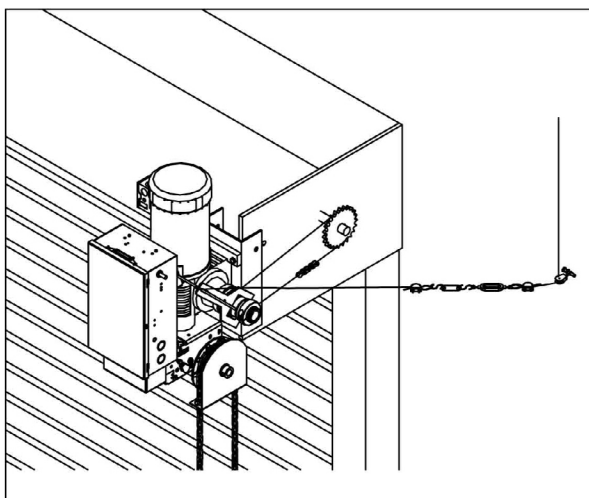
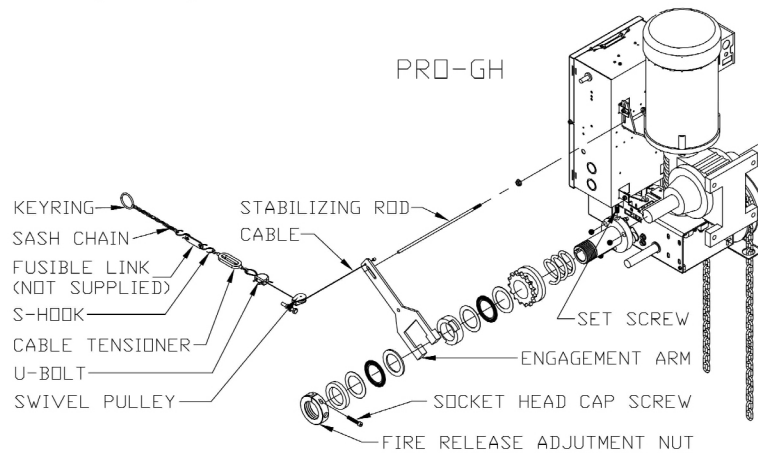


FIRE RELEASE MECHANISM INSTALLATION

If an optional Fire Release Mechanism was ordered with your operator:

1. Loosen socket head cap screw on adjustment nut. Loosen the fire release adjustment nut.
2. Slide fire release assembly onto output shaft of reducer. Align assembly so that the drive sprocket on assembly is aligned with door sprocket when the assembly is not engaged (i.e. when the engagement arm is at rest and the internal spring is not compressed).
3. Tighten set screw on fire release hub.
4. Using fire release adjustment tool, rotate fire release adjustment nut so as to allow 3/16" clearance between the clutch hub and the drive sprocket hub when the mechanism is not engaged.
5. After adjustment is completed make sure socket head cap screw on clutch nut is locked in place.
6. Verify fire release mechanism by pushing or pulling the engagement arm so as to engage the 3 ball bearings into the 3 holes in the drive sprocket.
7. Rotate and position engagement arm so as to not interfere with operator drive chain. Slide stabilizing rod through slot of engagement arm and attach to frame or external support to prevent arm from rotating during operation. (Note: Location of arm and stabilizing bolt vary depending on mounting and specifics of the particular installation).
8. Attach fusible link (not supplied) to cable tensioner on cable assembly. Using pulleys and sash chain provided, position cable assembly so as to locate fusible link in appropriate location to suit installation.
NOTE: Cable assembly may be installed to pull release arm towards the operator or away from operator, whichever is most applicable to the particular installation.
9. Attach the keyring located at the end of sash chain to a fixed location so that tension on cable will cause engagement arm to fully engage the fire release mechanism.
10. When fusible link melts, the cable should release tension on the arm allowing the spring loaded fire release mechanism to disengage drive sprocket causing an open door to close under it's own weight.

Note: Limit switch settings must be re-adjusted anytime the fire release has been activated.



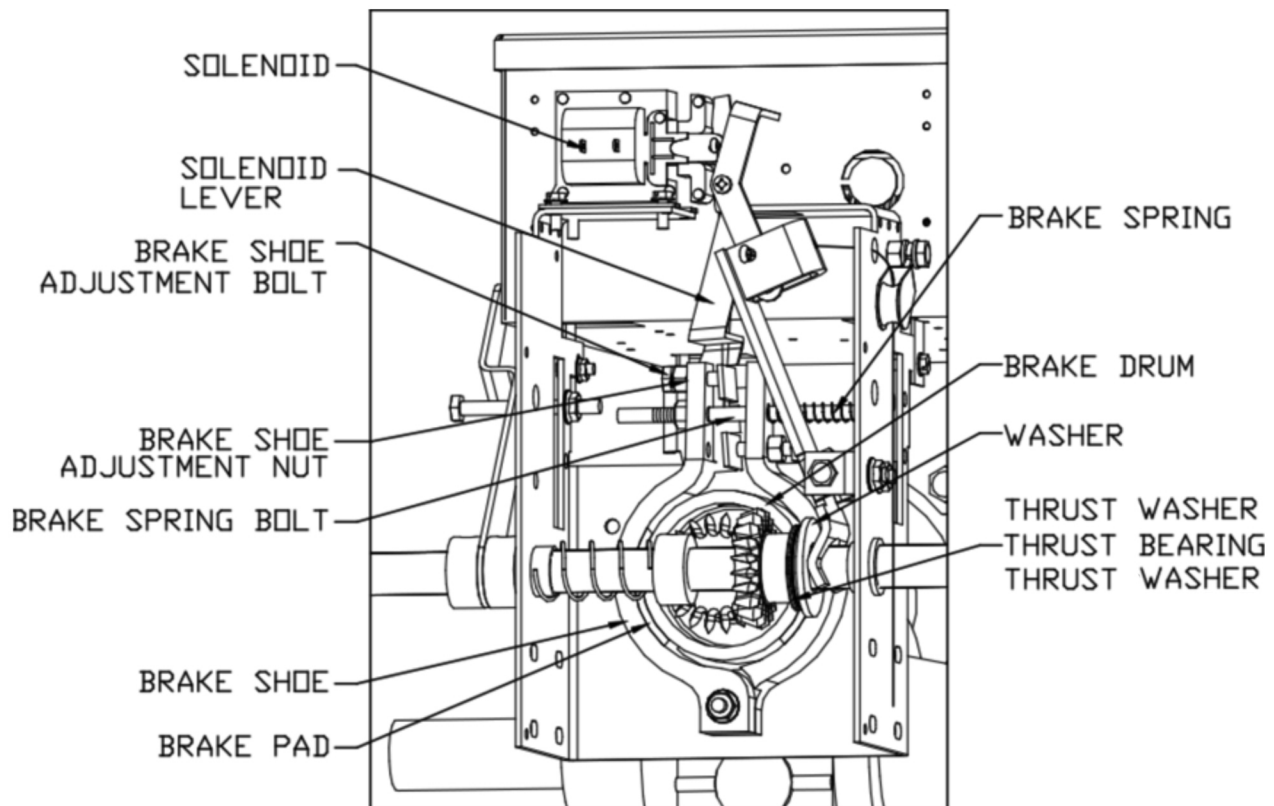
BRAKE ADJUSTMENT

The brake adjustment is factory set and should only require minor adjustment after extensive use.

Verify brake adjustment by manually holding in solenoid plunger. When brake is properly adjusted, the brake shoe pads should make complete contact with brake drum with sufficient brake spring tension to stop and maintain door when solenoid is de-energized. When solenoid is energized, brake shoes should release from drum with sufficient clearance to avoid contact between shoes and drum.


To adjust brake tension, tighten (to increase) or loosen (to decrease) nylon lock nut on brake spring bolt. Observe solenoid during electrical testing of brake. Brake spring tension must be adjusted so that solenoid should pull and release smoothly and quietly. Too much or too little tension on brake spring may cause solenoid to burn out.

To adjust individual brake shoes, loosen nut on brake shoe adjustment bolt and adjust bolt. When properly adjusted, there should be a small clearance between adjustment bolt and solenoid bracket when solenoid is de-energized. When solenoid is energized, brake shoes should move away from drum with sufficient clearance to avoid friction between brake shoe pad and drum. After adjustments are made be sure to tighten nuts on brake shoe adjustment bolts.

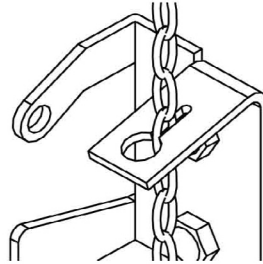


EMERGENCY MANUAL

- The PRO-GH and PRO-GHC operators are equipped with an emergency disconnect device with interlocked power cut-out switch to manually operate door in case of emergency. This feature should not be used to manually operate a malfunctioning door.

 WARNING
<p>TO REDUCE THE RISK OF INJURY OR DEATH:</p> <p>DO NOT ATTEMPT TO USE EMERGENCY DISCONNECT SYSTEM WHILE OPERATOR IS RUNNING.</p> <p>POWER TO THE OPERATOR SHOULD BE TURNED OFF PRIOR TO OPERATING DOOR MANUALLY.</p>

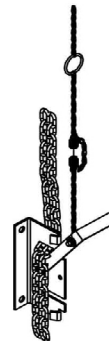
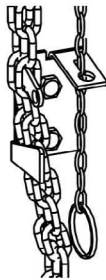
1. **If operator is supplied with standard chain keeper:** Pull the disconnect chain through the hole of keyhole and lock in place by inserting chain in slot of keyhole.



2. **If operator is supplied with optional floor level disconnect lever:** Pull disconnect lever downwards and lock in place by bending lever around bracket lip as shown.



3. Operate door by pulling on hand chain. To return to electrical operation release disconnect chain and allow to return to original position. Lock hand chain in place (to Chain Keeper or Floor Level Disconnect) when not in use.



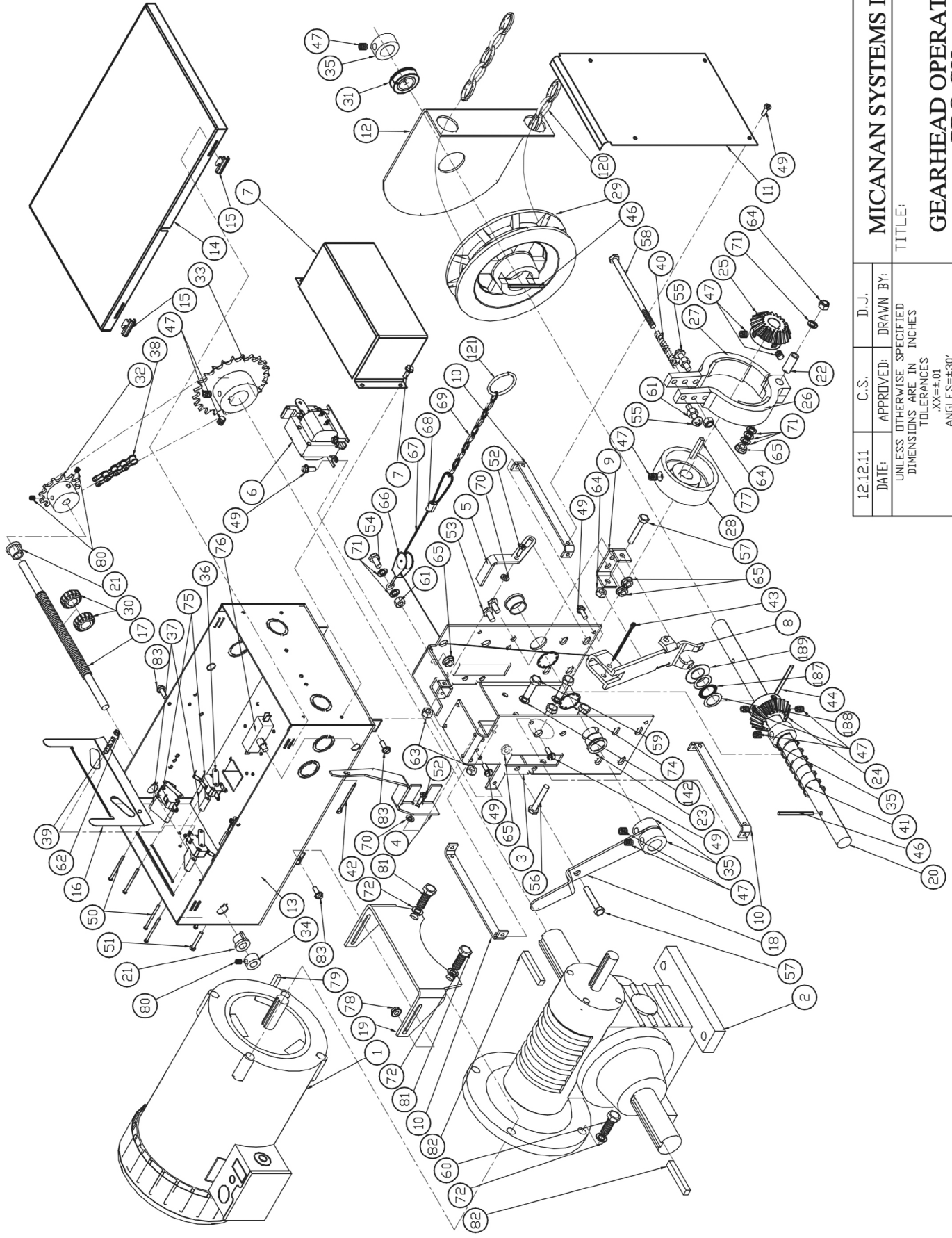
OPERATOR MAINTENANCE



WARNING

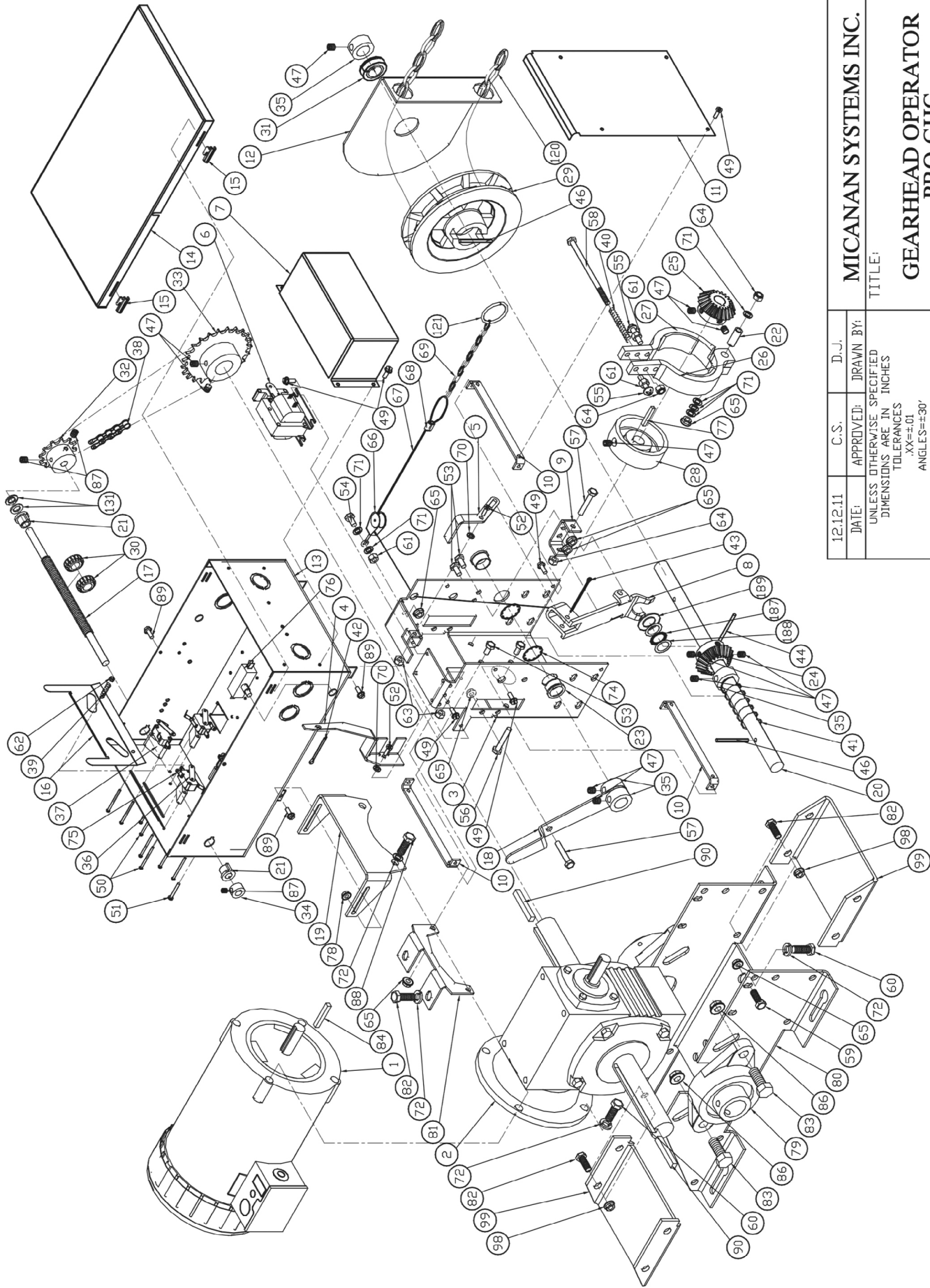
TO REDUCE THE RISK OF INJURY OR DEATH:
DO NOT ATTEMPT TO SERVICE THE OPERATOR UNLESS
POWER SUPPLY HAS BEEN DISCONNECTED

- Inspect manual function of the door every 3-months. Make sure that door runs smoothly. If door does not manually open or close freely, have a qualified service person make repairs. Do not attempt to electrically operate a malfunctioning door.
- Every 3 months:
 1. Verify that door area is kept clean. Remove any obstructions that would prevent proper door operation.
 2. Check for any excessive slack in chains. If chain adjustment is required verify and adjust limit switches, if necessary.
 3. Verify and adjust brake (Do not lubricate).
 4. Lubricate chains, bearings and limit shaft.
 5. Verify that motor, solenoid and operator runs smoothly and quietly.
- Every 6 months:
 1. Verify tightness of all fasteners and set screws.
 2. Verify that operator is properly secured.
 3. Inspect manual disconnect.
- Every 12 months:
 1. Perform a complete service check.
 2. Verify that inside of control box is clean and that grounding wires, terminations and power terminations do not show signs of corrosion.
 3. Verify tightness of all terminal strip screws and electrical connections.
 4. Verify power supply, voltage of input terminals during operation.
 5. Verify that current consumption of operator corresponds to nameplate information



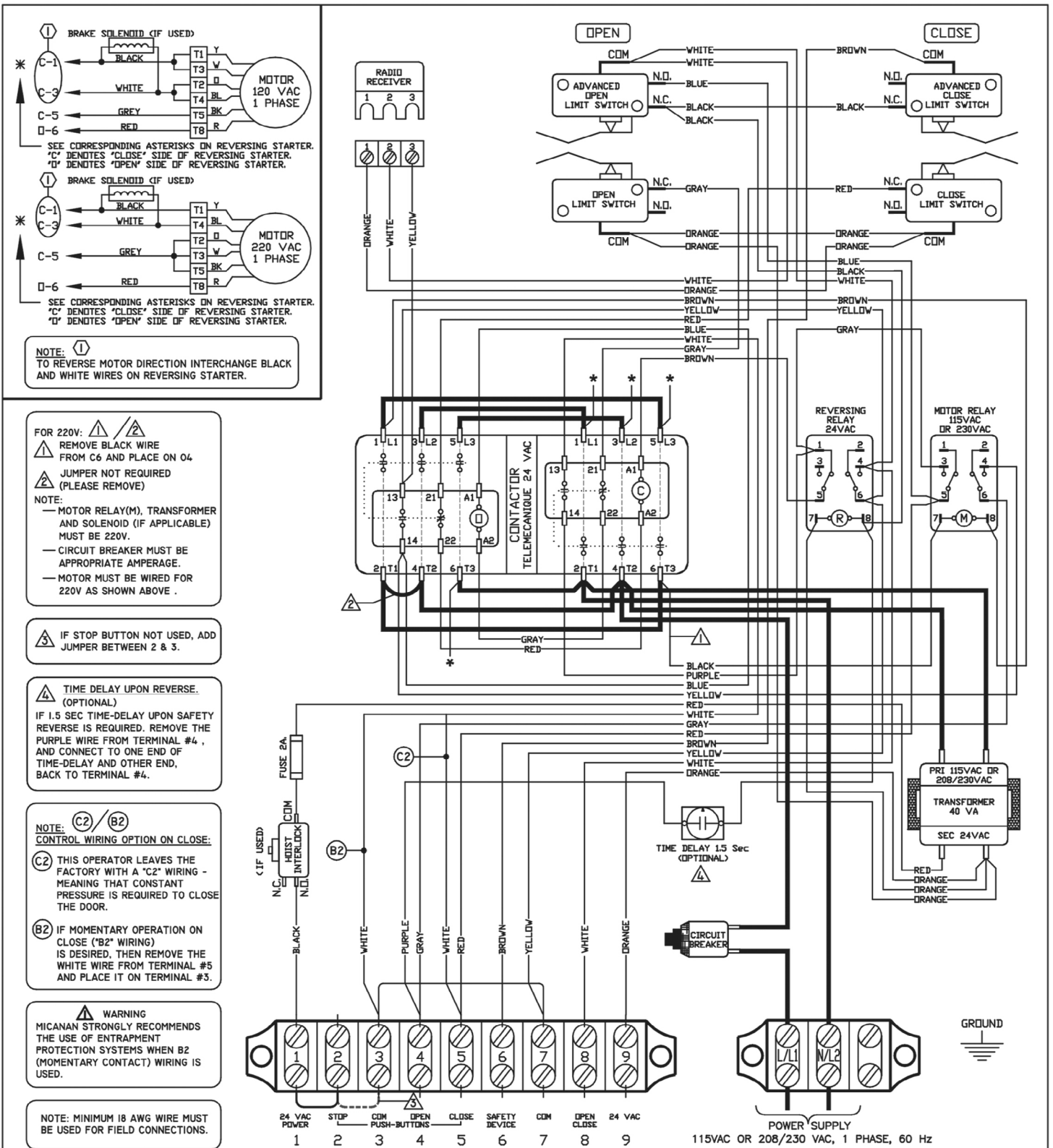
12.12.11	C.S.	D.J.	MICANAN SYSTEMS INC.
DATE:	APPROVED:	DRAWN BY:	TITLE:
UNLESS OTHERWISE SPECIFIED DIMENSIONS ARE IN INCHES TOLERANCES .XX=±.01 ANGLES=±30°			GEARHEAD OPERATOR PRO-GH
REVISION:A		WEIGHT: 16	PAGE: 1/1
		CAD FILE: 3D-PROGH-XE	SCALE:

CODE	PART #	DESCRIPTION (PRO-GH)	QTY
*	1	MOTOR	1
MC00001	2 A	GEAR REDUCER CH55 45:1 (1/2, 3/4 AND 1HP)	1
MC00002	2 B	GEAR REDUCER CH70 44:1 (1.5, 2HP)	1
MM00004	3	FRAME GEARHEAD MS10030	1
MM00015	4	SOLENOID LEVER GEARHEAD MS10031	1
MM00017	5	PIVOT BRACKET GEARHEAD MS10033	1
MK00026	6 A	SOLENOID 120V	1 *
MK00027	6 B	SOLENOID 220V	1 *
MK00028	6 C	SOLENOID 460V	1 *
MK00029	6 D	SOLENOID 575V	1 *
MM00012	7	SOL-COVER GEARHEAD MS10032	1
MM00020	8	DISCONNECT ARM GEARHEAD MS10035	1
MM00022	9	SUPPORT U-BR H/HHD/GEARHEAD MS10015	1
MM00007	10	GEARHEAD FRAME SUPPORT C-BRACKETS MS10036	3
MM00005	11	BACK COVER MS10037	1
MM00013	12	CHAIN GUARD MS10014	1
MM00002	13	CONTROL BOX MS10001	1
MM00001	14	CONTROL BOX COVER MS10005	1
MM00046	15	CONTROL BOX HINGE	2
MM00024	16	CAM PLATE MS10013	1
ME00001	17	LIMIT SHAFT 3/8-1/2 x 9.75"	1
MM00026	18	CUT-OUT SW. ACTIVATION PLATE GH MS10042	1
MM00027	19	REAR BRACKET GH (RED 55,63,70,80) MS10038	1
ME00008	20	DISCONNECT SHAFT GEARHEAD 3/4" x 15.75"	1
MH00001	21	BRONZE T-BUSHING 3/8" ID	2
MH00002	22	MILD STEEL BUSHING 9/32ID x 13/32OD x1-1/16	1
MH00003	23	OILITE FLANGE BUSHING 3/4 ID X 7/8" OD	2
MD00001	24	BEVEL GEAR 20 TOOTH 3/4 ID C/W KW 2SS	1
MD00002	25	BEVEL GEAR 20 TOOTH 5/8 ID C/W KW 2SS	1
MJ00001	26	BRAKE SHOE LEFT	1
MJ00002	27	BRAKE SHOE RIGHT	1
MJ00003	28	BRAKE DRUM	1
MI00003	29	POCKET WHEEL c/w 2 pins & bushing 3/4 ID	1
MG00030	30	LIMIT CAM 1/2-20 UNF	2
MH00013	31	FLANGE BEARING 3/4" IDx1-3/8 OD	1
MD00005	32	SPROCKET 410B12 X 3/8"	1
MD00025	33	SPROCKET 410B23 x 1" bore	1
MH00006	34	COLLAR 3/8 ID	1
MH00008	35	COLLAR 3/4" ID	4
MG00003	36	DOUBLE NUT FOR LIM-SW.	4
MJ00006	37	LIMIT SWITCH DOUBLE SPACER 3/4" LONG	4
MD00225	38 A	#410 roller chain 67 links c/w connecting link (for reducer CH 55)	1 *
MD00226	38 B	#410 roller chain 69 links c/w connecting link (for reducer CH 70)	1 *
MO00001	39	CAM PLATE COMPRESSION SPRING (.178IDx.032GX.55L)	2
MO00002	40	BRAKE COMPRESSION SPRING (5/16"ID-.05G-2.50L)	1
MO00006	41	GEARHEAD DISCONNECT SPRING (0.92ID x 0.09G x 2.00"L)	1
MQ00001	42	COTTER PIN 1/8 x 1.5	1
MQ00018	43	COTTER PIN 3/16 x 2" LONG	1
MQ00005	44	SPRING PIN 3/16" x 1-1/2" Long	1
MQ00007	46	SPRING PIN 1/4" x 2" Long	2
MQ00008	47	SET SCREW 5/16" -18	12
MF00045	49	H.H. SLOTTED SELF ROUNDING WASHER HEAD SCREW 8-32UNF x 3/8"	18
MF00003	50	R.H. PHILLIPS MACHINE SCREW 4-40 UNCx1-1/2	8
MF00004	51	R.H. PHILLIPS MACHINE SCREW 6-32 UNC x1	2
MF00005	52	R.H. PHILLIPS MACHINE SCREW 10-32 UNF x 5/8"	2
MF00006	53	HEX HEAD BOLT 1/4-20UNCx1/2 (Full thread)	2
MF00008	54	HEX HEAD BOLT 1/4-20UNCx1 (Full thread)	1
MF00048	55	ROUND HEAD SLOTTED BOLT 1/4-20UNCx1-1/4" (Full thread)	2
MF00076	56	HEX HEAD BOLT 1/4-20UNCx2" (full thread)	1
MF00009	57	HEX HEAD BOLT 1/4-20UNCx2-1/4" (Not full thread)	2
MF00044	58	HEX HEAD BOLT 1/4-20UNCx4" (Not full thread)	1
MF00032	59	HEX HEAD BOLT 5/16-18UNCx 3/4" (Full thread)	4
MF00019	60	HEX HEAD BOLT 3/8-16UNCx1 (Full thread)	2
MG00006	61	HEX NUT 1/4-20UNC	3
MG00007	62	HEX NYLON LOCK NUT 6-32UNC	2
MG00008	63	HEX NYLON LOCK NUT 10-32 UNF	2
MG00009	64	HEX NYLON LOCK NUT 1/4-20UNC	3
MG00011	65	RIBBED HEX NUT 1/4-20UNC	6
MU00001	66	SWIVEL PULLEY PS-05	1
MR00001	67	DISCONNECT CABLE 3/32 X 12" LONG	1
MQ00011	68	3/32" ALUMINUM OVAL SLEEVE	1
MR00008	69	DISCONNECT SASH CHAIN	1
MG00016	70	#10 FLAT WASHER	2
MG00017	71	1/4" FLAT WASHER	6
MG00018	72	LOCK WASHER 3/8"	4
MG00041	74	SPRING CLIPS 7/8" ID	2
MK00004	75	LIMIT SWITCH (STANDARD)	4
MK00005	76	CUTOUT SWITCH C/W NUT & WASHER	1
ME00018	77	KEYWAY 3/16 SQ. x 1-1/4" LONG	1
MG00010	78	RIBBED HEX NUT 10-32 UNF	2
ME00055	79	KEYWAY 3/16" X 1-3/4" LONG	1
MQ00009	80	SET SCREW 1/4"- 20	3
MF00020	81	HEX HEAD BOLT 3/8" - 16 UNC X 1-1/4"	2
*	82	KEYWAY 1/4" SQ. X 3" LONG	2
MF00046	83	H.H. SLOTTED SELF ROUNDING WASHER HEAD SCREW 10-32 UNF x 1/2"	5
MR00006	120	HAND CHAIN	1
MU00002	121	KEYRING 1-1/4"	1
MG00042	142	LOCK WASHER 5/16"	4
MD00409	187	THRUST BEARING 3/4" ID	1
MD00410	188	THRUST WASHER 3/4" ID	2
MG00099	189	FLAT WASHER 13/16" ID X 1.5" OD X 1/16" THICK	1

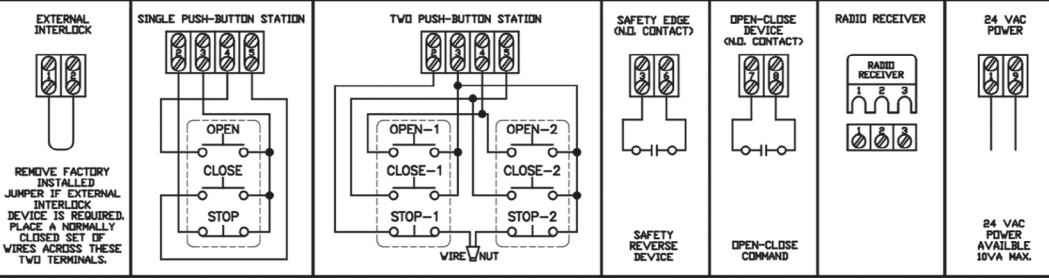


12.12.11	C.S.	D.J.	MICANAN SYSTEMS INC.
DATE:	APPROVED:	DRAWN BY:	TITLE:
UNLESS OTHERWISE SPECIFIED DIMENSIONS ARE IN INCHES TOLERANCES .XX=±.01 ANGLES=±.30'			GEARHEAD OPERATOR PRO-GHC
REVISION:A			WEIGHT: 16 SIZE: B PAGE: 1/1
			CAD FILE: 3D-PROGHC-XE SCALE:

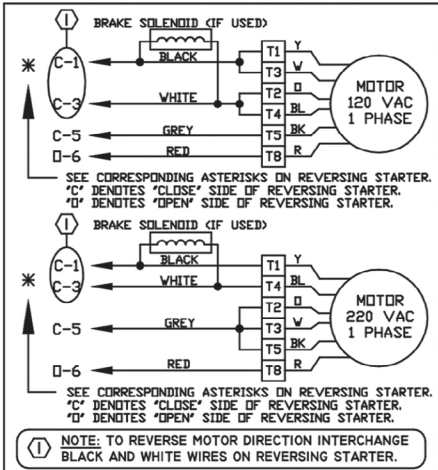
CODE	PART #	DESCRIPTION (PRO-GHC)	QTY
*	1	MOTOR	1
MC00012	2 A	GEAR REDUCER BHC 63 40:1 (1/2, 3/4, 1 AND 1.5HP)	1 *
MC00007	2 B	GEAR REDUCER BHC 80 40:1 143TC (2 HP)	1 *
MC00008	2C	GEAR REDUCER BHC 80 40:1 182TC (3HP)	1 *
MM00004	3A	FRAME GEARHEAD MS10030 (FOR 1/2, 3/4, 1, 1.5, 2HP)	1 *
MM00255	3B	FRAME GH 3HP MS10256 (FOR 3HP)	1 *
MM00015	4	SOLENOID LEVER GEARHEAD	1
MM00017	5	PIVOT BRACKET GEARHEAD	1
MK00026	6 A	SOLENOID 120V	1 *
MK00027	6 B	SOLENOID 220V	1 *
MK00028	6 C	SOLENOID 460V	1 *
MK00029	6 D	SOLENOID 575V	1 *
MM00012	7	SOL-COVER GEARHEAD	1
MM00020	8	DISCONNECT ARM GEARHEAD	1
MM00022	9	SUPPORT U-BR H/HHD/GEARHEAD	1
MM00007	10	GEARHEAD FRAME SUPPORT C-BRACKETS	3
MM00005	11	BACK COVER	1
MM00013	12	CHAIN GUARD	1
MM00002	13	CONTROL BOX	1
MM00001	14	CONTROL BOX COVER	1
MM00046	15	CONTROL BOX HINGE	2
MM00024	16	CAM PLATE MS10013	1
ME00001	17	LIMIT SHAFT 3/8-1/2 x 9.75"	1
MM00026	18	CUT-OUT SW. ACTIVATION PLATE GH	1
MM00027	19 A	REAR BRACKET GH (RED 55.63.70.80) FOR 1/2, 3/4, 1, 1.5, 2HP	1 *
MM00028	19 B	REAR BRACKET GHC (RED 80 - 182TC) FOR 3, 5HP	1 *
ME00008	20	DISCONNECT SHAFT GEARHEAD 3/4" x 15.75"	1
MH00001	21	BRONZE T-BUSHING 3/8" ID	2
MH00002	22	MILD STEEL BUSHING 9/32ID x 13/32OD x1-1/16	1
MH00003	23	OILITE FLANGE BUSHING 3/4 ID X 7/8" OD	2
MD00001	24	BEVEL GEAR 20 TOOTH 3/4 ID C/W KW 2SS	1
MD00002	25	BEVEL GEAR 20 TOOTH 5/8 ID C/W KW 2SS	1
MJ00001	26	BRAKE SHOE LEFT	1
MJ00002	27	BRAKE SHOE RIGHT	1
MJ00003	28	BRAKE DRUM	1
MI00003	29	POCKET WHEEL c/w 2 pins & bushing 3/4 ID	1
MG00030	30	LIMIT CAM 1/2-20 UNF	2
MH00013	31	FLANGE BEARING 3/4" IDx1-3/8 OD	1
MD00005	32	SPROCKET 410B12 X 3/8"	1
MD00051	33A	SPROCKET 410B23 X 1-1/4" BORE (1/2, 3/4, 1, 1.5HP)	1 *
MD00052	33B	SPROCKET 410B23 X 1-3/8" BORE (2, 3, 5HP)	1 *
MH00006	34	COLLAR 3/8 ID	1
MH00008	35	COLLAR 3/4" ID	4
MG00003	36	DOUBLE NUT FOR LIM-SW.	4
MJ00006	37	LIMIT SWITCH DOUBLE SPACER 3/4" LONG	4
MD00226	38 A	#410 roller chain 69 links c/w connecting link (for reducer BHC 63)	1 *
MD00011	38 B	#410 roller chain 2FT. LONG c/w connecting link (for reducer BHC 80)	1 *
MC00001	39	CAM PLATE COMPRESSION SPRING (.178IDx .032GX 55L)	2
MC00002	40	BRAKE COMPRESSION SPRING (5/16"ID-.05G-2.50L)	1
MC00006	41	GEARHEAD DISCONNECT SPRING (0.92ID x 0.09G x 2.00"L)	1
MQ00001	42	COTTER PIN 1/8 x 1.5	1
MQ00018	43	COTTER PIN 3/16 x 2" LONG	1
MQ00005	44	SPRING PIN 3/16" x 1-1/2" Long	1
MQ00007	46	SPRING PIN 1/4" x 2" Long	2
MQ00008	47	SET SCREW 5/16" -18	12
MF00045	49	H.H. SLOTTED SELF ROUNDING WASHER HEAD SCREW 8-32UNF x 3/8"	18
MF00003	50	R.H. PHILLIPS MACHINE SCREW 4-40 UNCx1-1/2	8
MF00004	51	R.H. PHILLIPS MACHINE SCREW 6-32 UNC x1	2
MF00005	52	R.H. PHILLIPS MACHINE SCREW 10-32 UNF x 5/8"	2
MF00008	53	HEX HEAD BOLT 1/4-20UNCx1/2 (Full thread)	4
MF00008	54	HEX HEAD BOLT 1/4-20UNCx1 (Full thread)	1
MF00048	55	ROUND HEAD SLOTTED BOLT 1/4-20UNCx1-1/4" (Full thread)	2
MF00076	56	HEX HEAD BOLT 1/4-20UNCx2" (Full thread)	1
MF00009	57	HEX HEAD BOLT 1/4-20UNCx2-1/4" (Not full thread)	2
MF00044	58	HEX HEAD BOLT 1/4-20UNCx4" (Not full thread)	1
MF00007	59	HEX HEAD BOLT 1/4" - 20UNC x 3/4" (Full thread)	4
MF00019	60	HEX HEAD BOLT 3/8-16UNCx1 (Full thread)	6
MG00006	61	HEX NUT 1/4-20UNC	3
MG00007	62	HEX NYLON LOCK NUT 6-32UNC	2
MG00008	63	HEX NYLON NUT 10-32 UNF	2
MG00009	64	HEX NYLON LOCK NUT 1/4-20UNC	3
MG00011	65	RIBBED HEX NUT 1/4-20UNC	12
MU00001	66	SWIVEL PULLEY PS-05	1
MR00001	67	DISCONNECT CABLE 3/32 X 12" LONG	1
MQ00011	68	3/32" ALUMINUM OVAL SLEEVE	1
MR00008	69	DISCONNECT SASH CHAIN	1
MG00016	70	#10 FLAT WASHER	2
MG00017	71	1/4" FLAT WASHER	6
MG00018	72	LOCK WASHER 3/8"	10
MG00041	74	SPRING CLIPS 7/8" ID	2
MK00004	75	LIMIT SWITCH (STANDARD)	4
MK00005	76	CUTOUT SWITCH C/W NUT & WASHER	1
ME00018	77	KEYWAY 3/16 SQ. x 1-1/4" LONG	1
MG00010	78	RIBBED HEX NUT 10-32 UNF	2
MH00005	79 A	Flange Bearing UCFL 207 20 1-1/4" Bore (BHC 63) FOR 1/2, 3/4, 1, 1.5HP	2 *
MH00004	79 B	Flange Bearing UCFL 207 22 1-3/8" Bore (BHC 80) FOR 2, 3, 5HP	2 *
MM00008	80	FRAME GHC MS10034	1
MM00029	81 A	FRONT BRACKET (BHC 63) For 1/2, 3/4, 1, 1.5 HP	1 *
MM00030	81 B	FRONT BRACKET (BHC 80) For 2, 3, 5 HP	1 *
MF00011	82	H.H. BOLT 3/8"-16UNC X 3/4" LONG	10
MF00002	83	HEX HEAD BOLT 1/2" - 13UNC x 1-1/4"	4
ME00055	84	KEYWAY 3/16" X 1-3/4" LONG	1
MG00001	86	RIBBED HEX NUT 1/2" - 13UNC	4
MQ00009	87	SET SCREW 1/4" - 20UNC	3
MF00020	88	HEX HEAD BOLT 3/8" - 16 UNC X 1-1/4"	5
MF00046	89	HEX HEAD SLOTTED WASHER HEAD SCREW 10-32 UNC X 1/2"	2
*	90 A	KEYWAY 1/4" x 3" LONG (REDUCER BHC 63) FOR 1/2, 3/4, 1, 1.5HP	2 *
*	90 B	KEYWAY 5/16" x 3" LONG (REDUCER BHC 80) FOR 2, 3HP	2 *
MG00013	98	RIBBED HEX NUT 3/8" - 16UNC	8
MM00149	99	GHC FRAME SUPPORT U-BRACKET	2
MR00006	120	HAND CHAIN	1
MU00002	121	KEYRING 1-1/4"	1
MG00053	131	FLAT WASHER 3/8" SAE	2
MD00409	187	THRUST BEARING 3/4" ID	1
MD00410	188	THRUST WASHER 3/4" ID	2
MG00099	189	FLAT WASHER 13/16" ID X 1.5" OD X 1/16" THICK	1



I- PHASE WIRING DIAGRAM
MS100-WW
 REV. H | DATE: 28.10.10
 TECH. HELP LINE:
 CANADA: 1-(877) 888-1116
 USA: 1-(888) 816-8584



THE INFORMATION CONTAINED HEREIN IS PROPRIETARY TO MICANAN SYSTEMS INC. AND SHALL NOT BE REPRODUCED OR DISCLOSED OR USED FOR ANY DESIGN OR MANUFACTURE EXCEPT WHEN USER POSSESSES DIRECT WRITTEN AUTHORISATION FROM MICANAN SYSTEMS INC.



- FOR 220V: REMOVE BLACK WIRE FROM C6 AND PLACE ON O4 JUMPER NOT REQUIRED (PLEASE REMOVE)
- NOTE:
- MOTOR RELAY(M), TRANSFORMER AND SOLENOID (IF APPLICABLE) MUST BE 220V.
 - CIRCUIT BREAKER MUST BE APPROPRIATE AMPERAGE.
 - MOTOR MUST BE WIRED FOR 220V AS SHOWN ABOVE.

IF STOP BUTTON NOT USED, ADD JUMPER BETWEEN 2 & 3.

TIME DELAY UPON REVERSE (OPTIONAL)

IF 1.5 SEC TIME-DELAY UPON SAFETY REVERSE IS REQUIRED. REMOVE THE PURPLE WIRE FROM TERMINAL #4, AND CONNECT TO ONE END OF TIME-DELAY AND OTHER END, BACK TO TERMINAL #4.

MICANAN PHOTO-BEAMS (OR MICANAN COMPATIBLE MONITORED REVERSING DEVICES) MUST BE CONNECTED FOR THE DOOR TO CLOSE IN MOMENTARY MODE. IF MONITORED REVERSING DEVICES ARE NOT CONNECTED, DOOR CAN ONLY BE CLOSED BY CONSTANT PRESSURE ON CLOSE AND IF CONSTANT PRESSURE ON CLOSE IS REMOVED BEFORE DOOR REACHES FULL CLOSE POSITION, DOOR REVERSES TO FULL OPEN. NOTE: ONLY ONE MONITORED DEVICE CAN BE CONNECTED TO P1 AND P2

ANY SECONDARY REVERSING DEVICE(S) WITH A N.O CONTACT CAN BE INSTALLED TO S1 AND S2. DO NOT REMOVE RESISTOR UNLESS INSTALLING ON A 4-WIRE ELECTRIC EDGE.

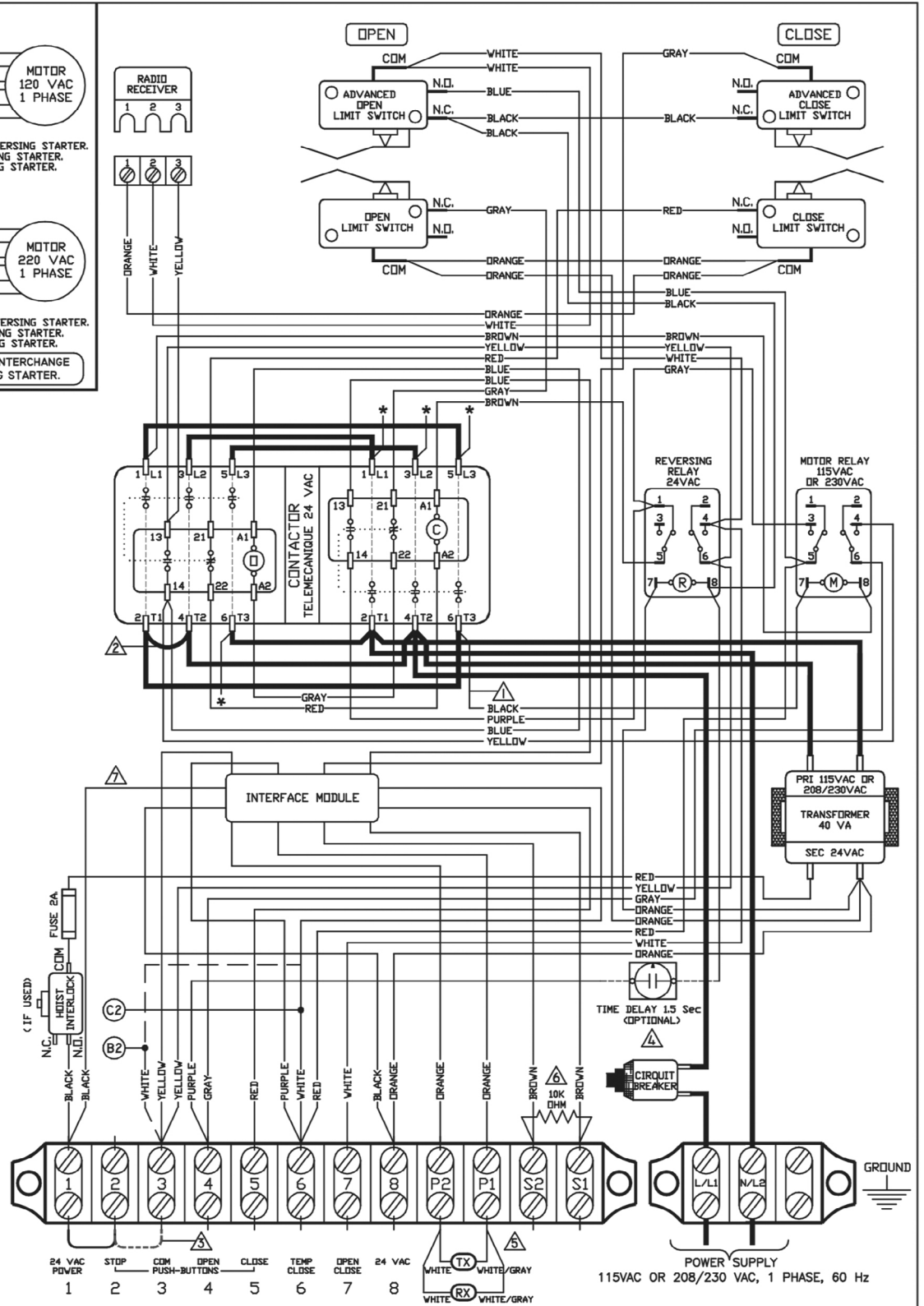
CONNECT THE BLACK WIRE TO TERMINAL 1 AFTER ADJUSTING THE LIMITS.

NOTE: CONTROL WIRING OPTION ON CLOSE:

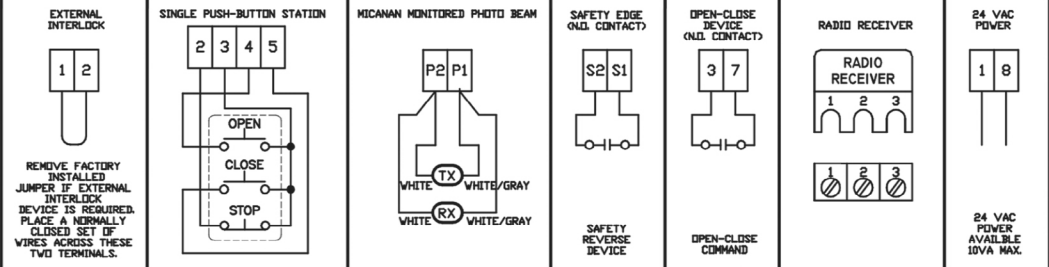
THIS OPERATOR LEAVES THE FACTORY WITH A "C2" WIRING - MEANING THAT CONSTANT PRESSURE IS REQUIRED TO CLOSE THE DOOR.

IF MOMENTARY OPERATION ON CLOSE ("B2" WIRING) IS DESIRED, THEN REMOVE THE WHITE WIRE FROM TERMINAL #6 AND PLACE IT ON TERMINAL #3.

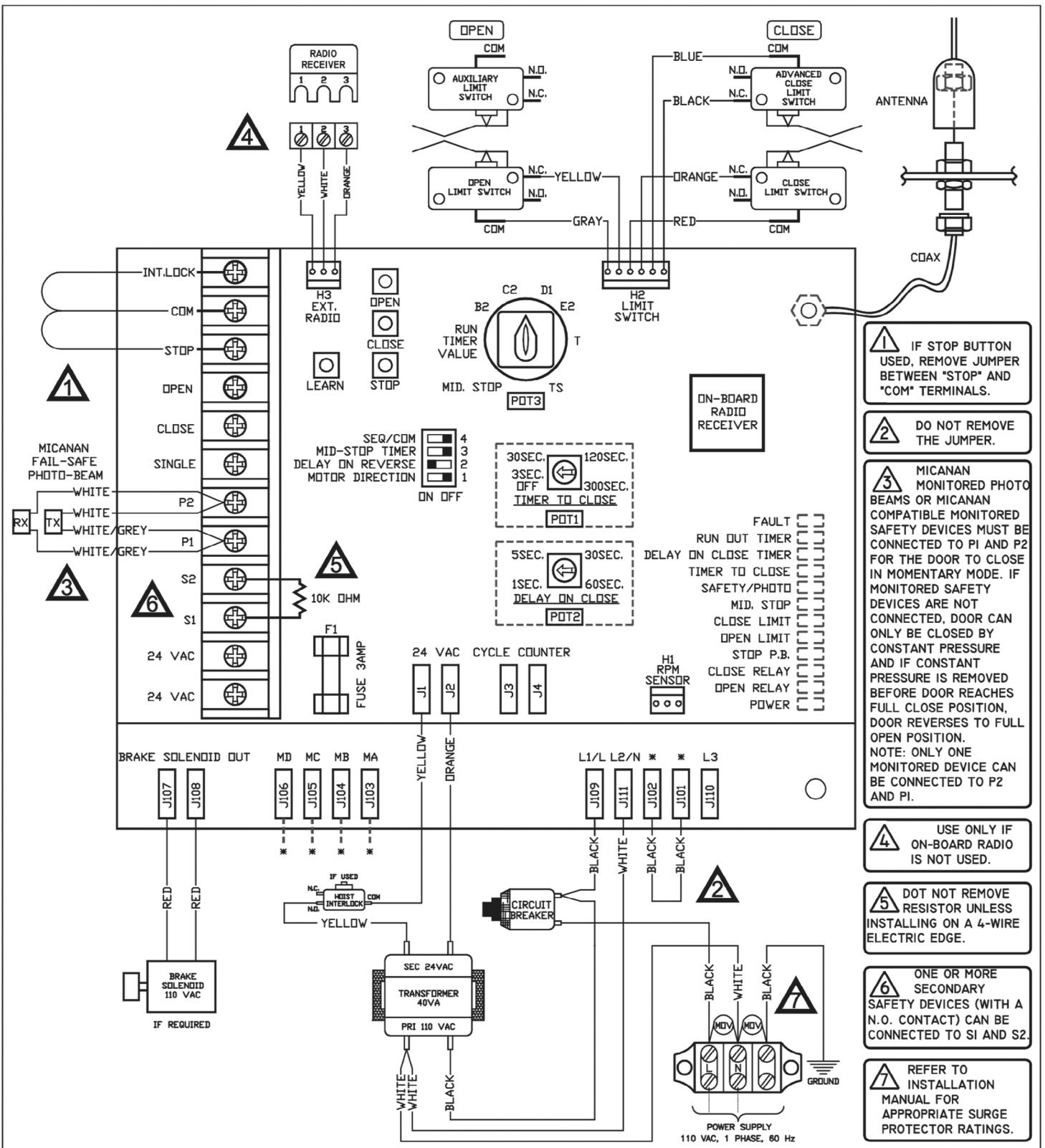
NOTE: MINIMUM 18 AWG WIRE MUST BE USED FOR FIELD CONNECTIONS.



1- PHASE WIRING DIAGRAM
MS100-IM-WW
 REV.1 DATE: 10.10.13
 TECH. HELP LINE:
 CANADA: 1-(877) 888-1116
 USA: 1-(888) 816-8584



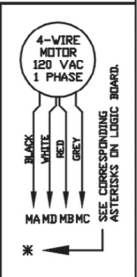
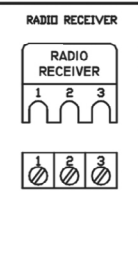
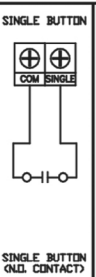
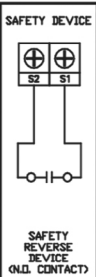
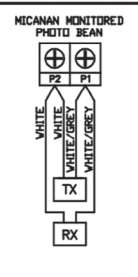
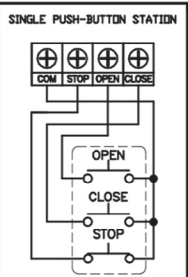
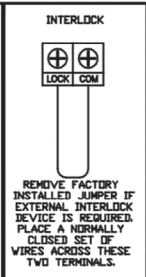
THE INFORMATION CONTAINED HEREIN IS PROPRIETARY TO MICANAN SYSTEMS INC. AND SHALL NOT BE REPRODUCED OR DISCLOSED OR USED FOR ANY DESIGN OR MANUFACTURE EXCEPT WHEN USER POSSESSES DIRECT WRITTEN AUTHORISATION FROM MICANAN SYSTEMS INC.

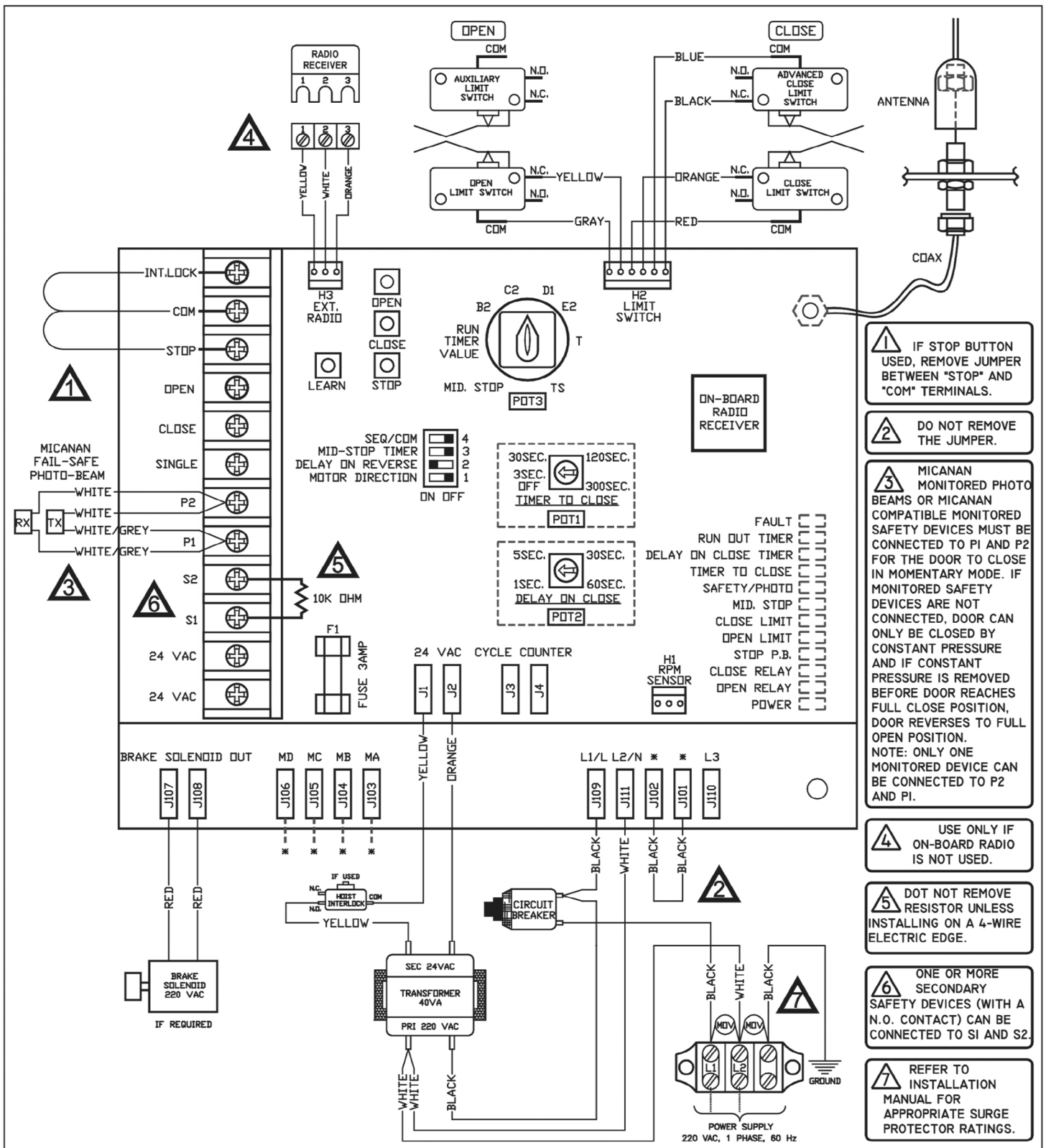


- 1 IF STOP BUTTON USED, REMOVE JUMPER BETWEEN "STOP" AND "COM" TERMINALS.
- 2 DO NOT REMOVE THE JUMPER.
- 3 MICANAN MONITORED PHOTO BEAMS OR MICANAN COMPATIBLE MONITORED SAFETY DEVICES MUST BE CONNECTED TO P1 AND P2 FOR THE DOOR TO CLOSE IN MOMENTARY MODE. IF MONITORED SAFETY DEVICES ARE NOT CONNECTED, DOOR CAN ONLY BE CLOSED BY CONSTANT PRESSURE AND IF CONSTANT PRESSURE IS REMOVED BEFORE DOOR REACHES FULL CLOSE POSITION, DOOR REVERSES TO FULL OPEN POSITION. NOTE: ONLY ONE MONITORED DEVICE CAN BE CONNECTED TO P2 AND P1.
- 4 USE ONLY IF ON-BOARD RADIO IS NOT USED.
- 5 DO NOT REMOVE RESISTOR UNLESS INSTALLING ON A 4-WIRE ELECTRIC EDGE.
- 6 ONE OR MORE SECONDARY SAFETY DEVICES (WITH A N.O. CONTACT) CAN BE CONNECTED TO S1 AND S2.
- 7 REFER TO INSTALLATION MANUAL FOR APPROPRIATE SURGE PROTECTOR RATINGS.

I- PHASE WIRING DIAGRAM 110V
MSL100-110V-WW
 REV. D DATE: 12.10.12
 TECH. HELP LINE:
 CANADA: 1-(877) 888-1116
 USA: 1-(888) 816-8584

MICANAN
 Commercial Door Opening Devices





1 IF STOP BUTTON USED, REMOVE JUMPER BETWEEN "STOP" AND "COM" TERMINALS.

2 DO NOT REMOVE THE JUMPER.

3 MICANAN MONITORED PHOTO BEAMS OR MICANAN COMPATIBLE MONITORED SAFETY DEVICES MUST BE CONNECTED TO P1 AND P2 FOR THE DOOR TO CLOSE IN MOMENTARY MODE. IF MONITORED SAFETY DEVICES ARE NOT CONNECTED, DOOR CAN ONLY BE CLOSED BY CONSTANT PRESSURE AND IF CONSTANT PRESSURE IS REMOVED BEFORE DOOR REACHES FULL CLOSE POSITION, DOOR REVERSES TO FULL OPEN POSITION. NOTE: ONLY ONE MONITORED DEVICE CAN BE CONNECTED TO P2 AND P1.

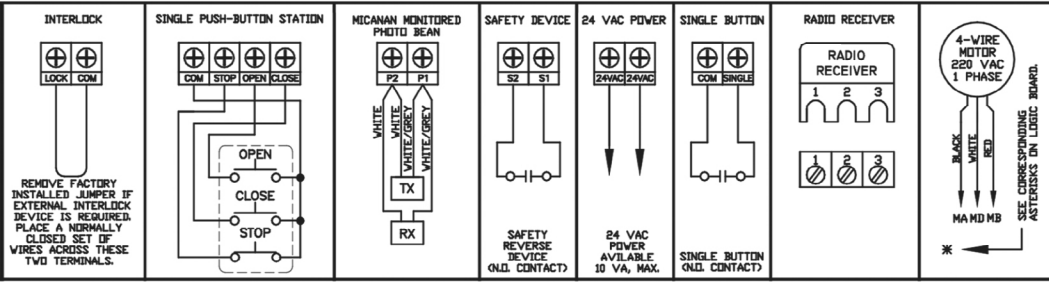
4 USE ONLY IF ON-BOARD RADIO IS NOT USED.

5 DO NOT REMOVE RESISTOR UNLESS INSTALLING ON A 4-WIRE ELECTRIC EDGE.

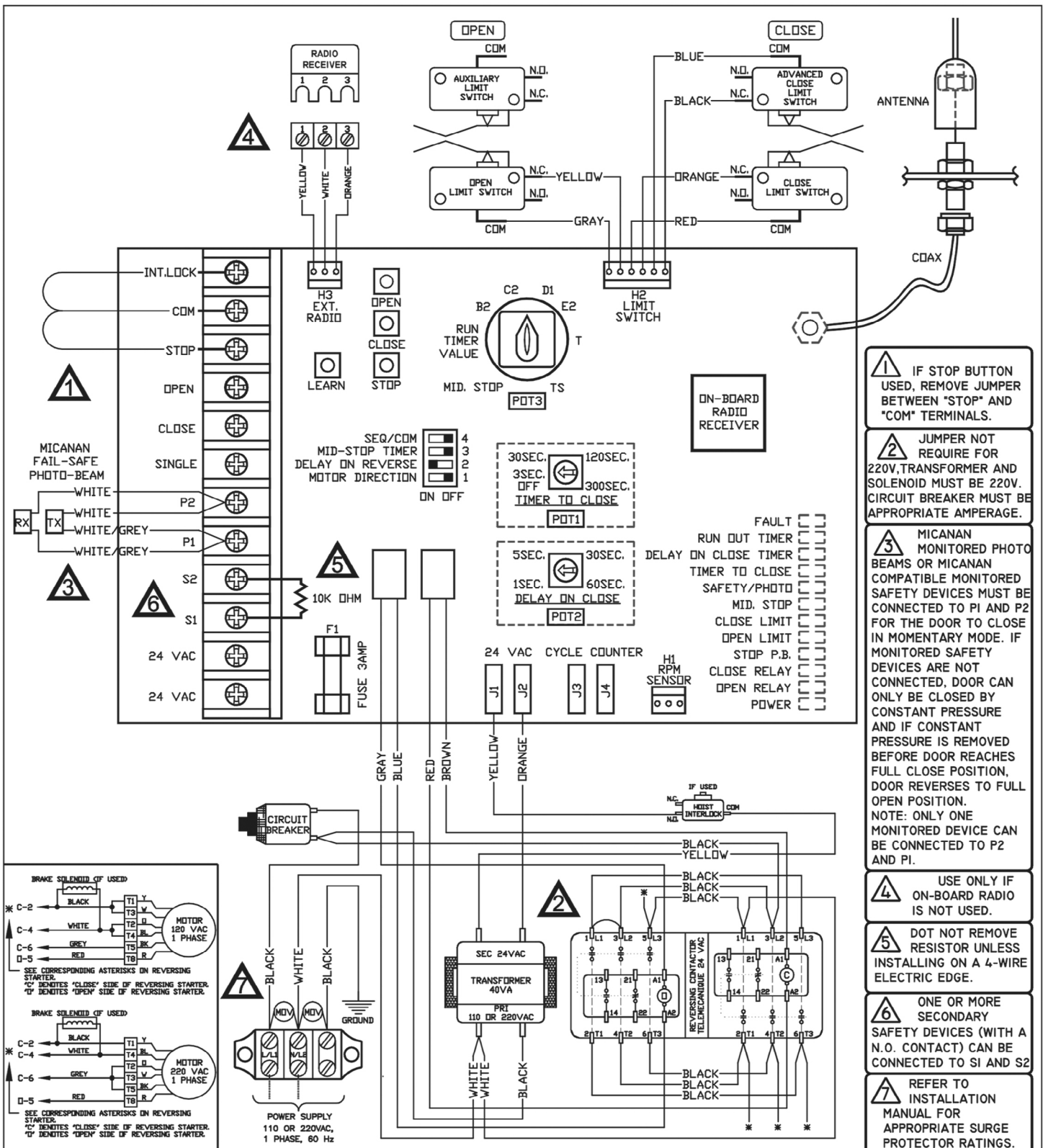
6 ONE OR MORE SECONDARY SAFETY DEVICES (WITH A N.O. CONTACT) CAN BE CONNECTED TO S1 AND S2.

7 REFER TO INSTALLATION MANUAL FOR APPROPRIATE SURGE PROTECTOR RATINGS.

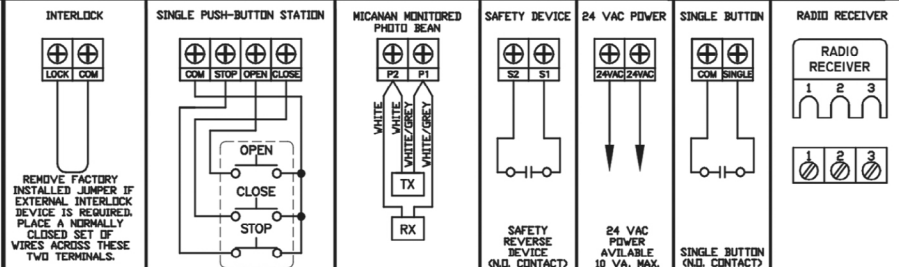
1-PHASE WIRING DIAGRAM 220V
MSL100-220V-WW
 REV. D DATE: 12.10.12
 TECH. HELP LINE:
 CANADA: 1-(877) 888-1116
 USA: 1-(888) 816-8584

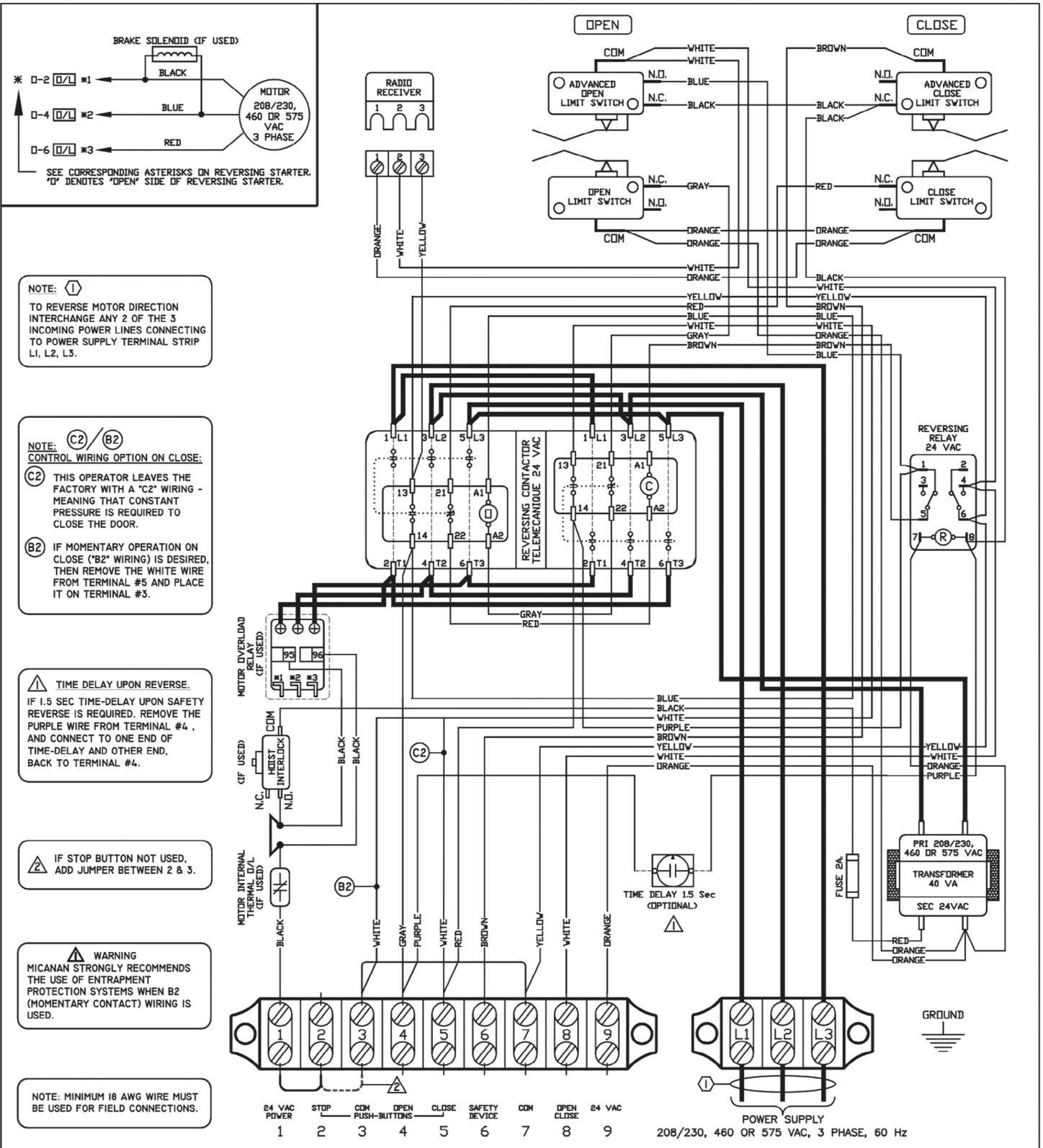


THE INFORMATION CONTAINED HEREIN IS PROPRIETARY TO MICANAN SYSTEMS INC. AND SHALL NOT BE REPRODUCED OR DISCLOSED OR USED FOR ANY DESIGN OR MANUFACTURE EXCEPT WHEN USER POSSESSES DIRECT WRITTEN AUTHORISATION FROM MICANAN SYSTEMS INC.

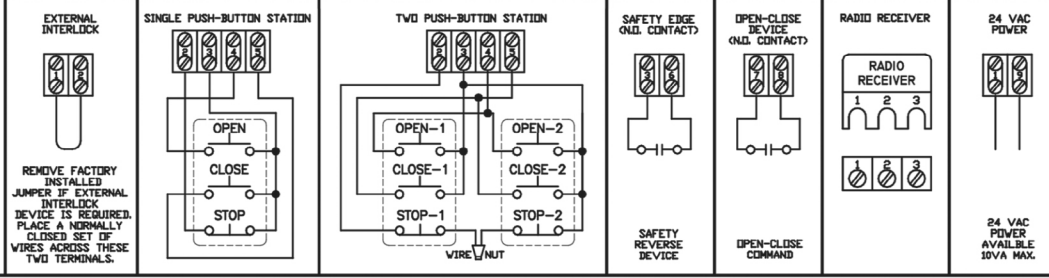


I- PHASE WIRING DIAGRAM I10/220V
MSLC100-WW
 REV. D DATE: 11.11.10
 TECH. HELP LINE:
 CANADA: 1-(877) 888-1116
 USA: 1-(888) 816-8584

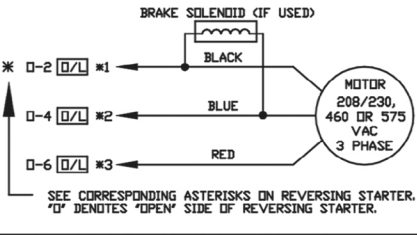
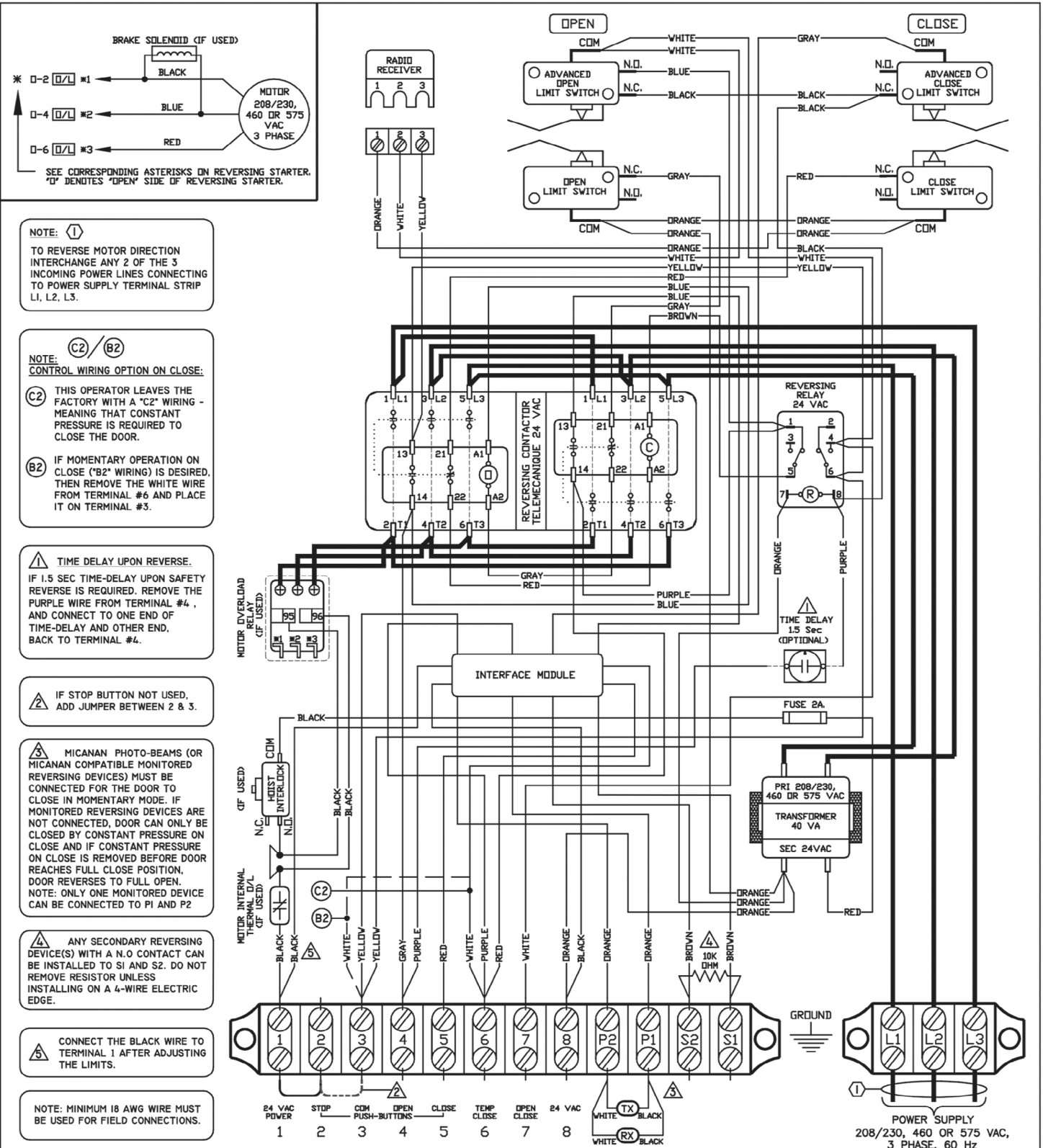




3- PHASE WIRING DIAGRAM
MS300-WW
REV. H | DATE: II.II.10
TECH. HELP LINE:
CANADA: 1-(877) 888-1116
USA: 1-(888) 816-8584



THE INFORMATION CONTAINED HEREIN IS PROPRIETARY TO MICANAN SYSTEMS INC. AND SHALL NOT BE REPRODUCED OR DISCLOSED OR USED FOR ANY DESIGN OR MANUFACTURE EXCEPT WHEN USER POSSESSES DIRECT WRITTEN AUTHORISATION FROM MICANAN SYSTEMS INC.



NOTE: (1)
TO REVERSE MOTOR DIRECTION INTERCHANGE ANY 2 OF THE 3 INCOMING POWER LINES CONNECTING TO POWER SUPPLY TERMINAL STRIP L1, L2, L3.

NOTE: (C2) / (B2)
CONTROL WIRING OPTION ON CLOSE:
(C2) THIS OPERATOR LEAVES THE FACTORY WITH A "C2" WIRING - MEANING THAT CONSTANT PRESSURE IS REQUIRED TO CLOSE THE DOOR.
(B2) IF MOMENTARY OPERATION ON CLOSE ("B2" WIRING) IS DESIRED, THEN REMOVE THE WHITE WIRE FROM TERMINAL #6 AND PLACE IT ON TERMINAL #3.

TIME DELAY UPON REVERSE.
IF 1.5 SEC TIME-DELAY UPON SAFETY REVERSE IS REQUIRED, REMOVE THE PURPLE WIRE FROM TERMINAL #4, AND CONNECT TO ONE END OF TIME-DELAY AND OTHER END, BACK TO TERMINAL #4.

IF STOP BUTTON NOT USED, ADD JUMPER BETWEEN 2 & 3.

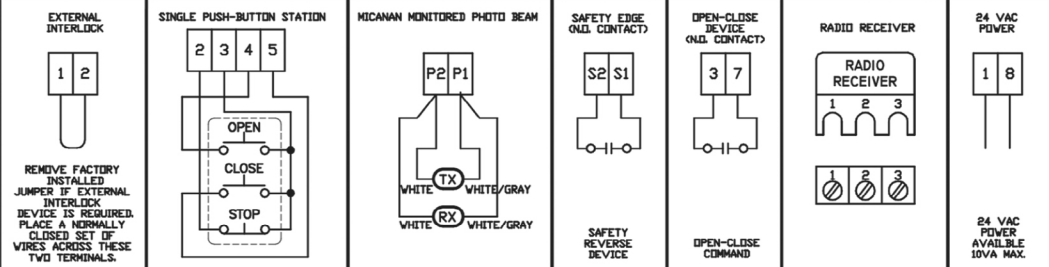
MICANAN PHOTO-BEAMS (OR MICANAN COMPATIBLE MONITORED REVERSING DEVICES) MUST BE CONNECTED FOR THE DOOR TO CLOSE IN MOMENTARY MODE. IF MONITORED REVERSING DEVICES ARE NOT CONNECTED, DOOR CAN ONLY BE CLOSED BY CONSTANT PRESSURE ON CLOSE AND IF CONSTANT PRESSURE ON CLOSE IS REMOVED BEFORE DOOR REACHES FULL CLOSE POSITION, DOOR REVERSES TO FULL OPEN.
NOTE: ONLY ONE MONITORED DEVICE CAN BE CONNECTED TO P1 AND P2

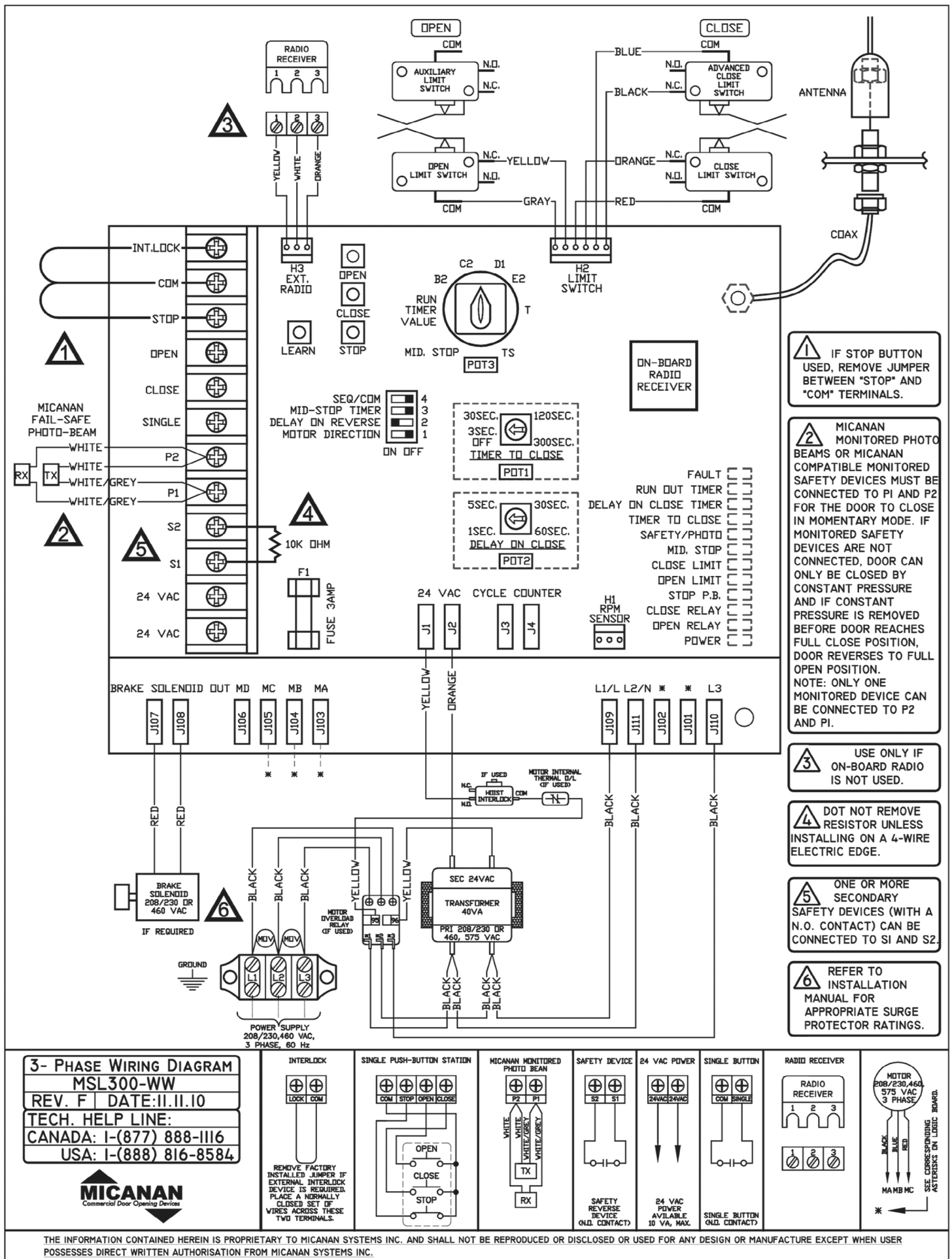
ANY SECONDARY REVERSING DEVICES(S) WITH A N.O. CONTACT CAN BE INSTALLED TO S1 AND S2. DO NOT REMOVE RESISTOR UNLESS INSTALLING ON A 4-WIRE ELECTRIC EDGE.

CONNECT THE BLACK WIRE TO TERMINAL 1 AFTER ADJUSTING THE LIMITS.

NOTE: MINIMUM 18 AWG WIRE MUST BE USED FOR FIELD CONNECTIONS.

3-PHASE WIRING DIAGRAM
MS300-IM-WW
REV. H DATE: 10.10.13
TECH. HELP LINE:
CANADA: 1-(877) 888-1116
USA: 1-(888) 816-8584





1 IF STOP BUTTON USED, REMOVE JUMPER BETWEEN "STOP" AND "COM" TERMINALS.

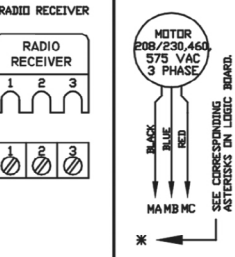
2 MICANAN MONITORED PHOTO BEAMS OR MICANAN COMPATIBLE MONITORED SAFETY DEVICES MUST BE CONNECTED TO P1 AND P2 FOR THE DOOR TO CLOSE IN MOMENTARY MODE. IF MONITORED SAFETY DEVICES ARE NOT CONNECTED, DOOR CAN ONLY BE CLOSED BY CONSTANT PRESSURE AND IF CONSTANT PRESSURE IS REMOVED BEFORE DOOR REACHES FULL CLOSE POSITION, DOOR REVERSES TO FULL OPEN POSITION.
 NOTE: ONLY ONE MONITORED DEVICE CAN BE CONNECTED TO P2 AND P1.

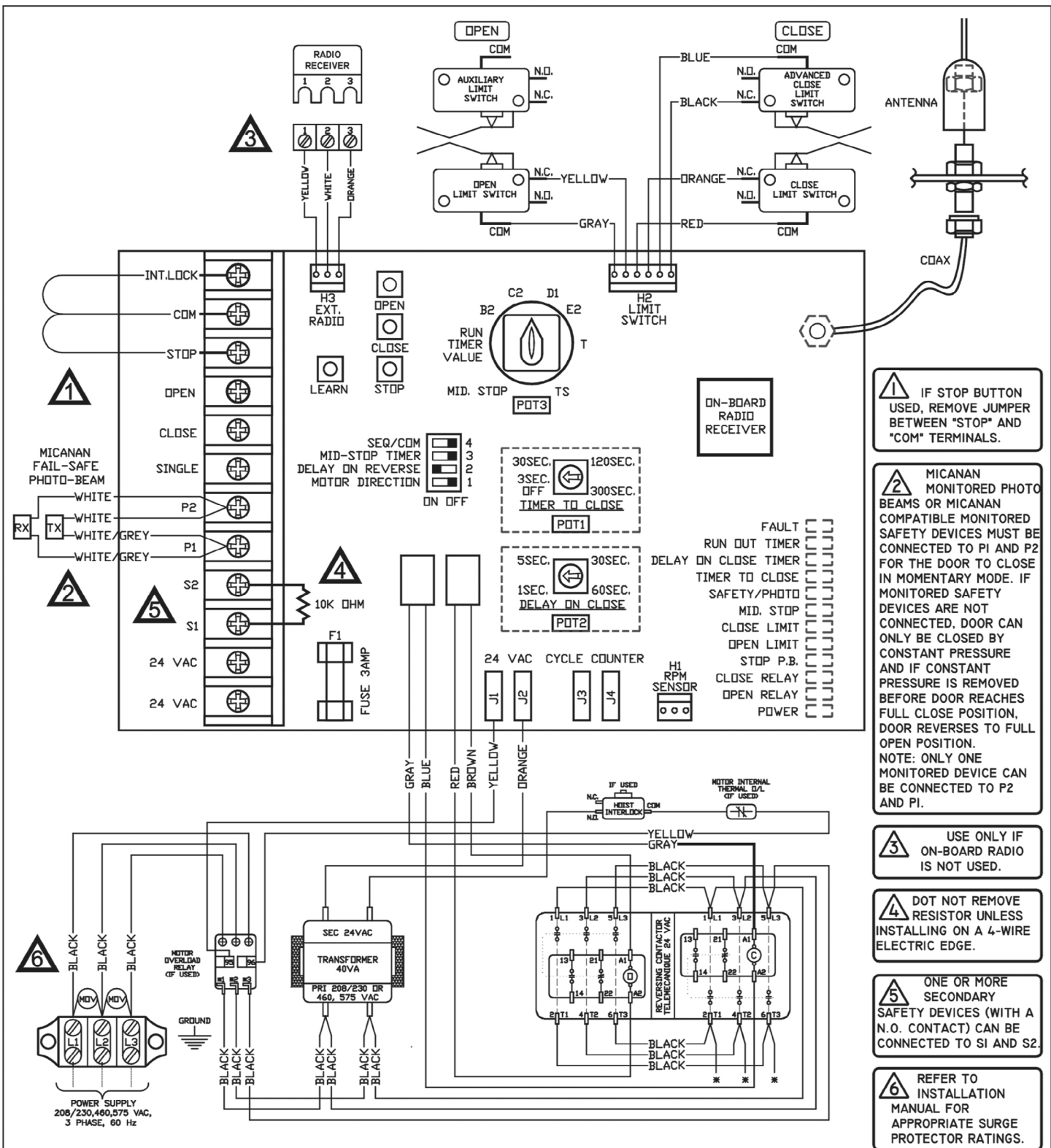
3 USE ONLY IF ON-BOARD RADIO IS NOT USED.

4 DO NOT REMOVE RESISTOR UNLESS INSTALLING ON A 4-WIRE ELECTRIC EDGE.

5 ONE OR MORE SECONDARY SAFETY DEVICES (WITH A N.O. CONTACT) CAN BE CONNECTED TO S1 AND S2.

6 REFER TO INSTALLATION MANUAL FOR APPROPRIATE SURGE PROTECTOR RATINGS.





1 IF STOP BUTTON USED, REMOVE JUMPER BETWEEN "STOP" AND "COM" TERMINALS.

2 MICANAN MONITORED PHOTO BEAMS OR MICANAN COMPATIBLE MONITORED SAFETY DEVICES MUST BE CONNECTED TO P1 AND P2 FOR THE DOOR TO CLOSE IN MOMENTARY MODE. IF MONITORED SAFETY DEVICES ARE NOT CONNECTED, DOOR CAN ONLY BE CLOSED BY CONSTANT PRESSURE AND IF CONSTANT PRESSURE IS REMOVED BEFORE DOOR REACHES FULL CLOSE POSITION, DOOR REVERSES TO FULL OPEN POSITION. NOTE: ONLY ONE MONITORED DEVICE CAN BE CONNECTED TO P2 AND P1.

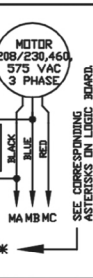
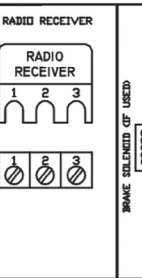
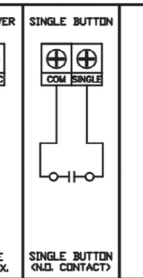
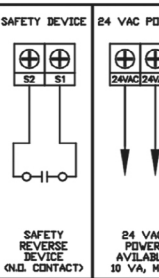
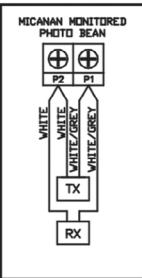
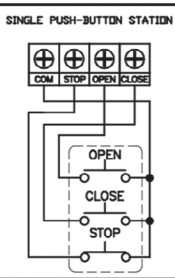
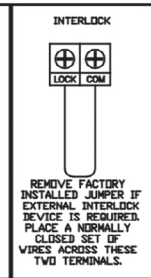
3 USE ONLY IF ON-BOARD RADIO IS NOT USED.

4 DOT NOT REMOVE RESISTOR UNLESS INSTALLING ON A 4-WIRE ELECTRIC EDGE.

5 ONE OR MORE SECONDARY SAFETY DEVICES (WITH A N.O. CONTACT) CAN BE CONNECTED TO S1 AND S2.

6 REFER TO INSTALLATION MANUAL FOR APPROPRIATE SURGE PROTECTOR RATINGS.

3- PHASE WIRING DIAGRAM
MSLC300-WW
 REV. F DATE: II.II.10
 TECH. HELP LINE:
 CANADA: 1-(877) 888-1116
 USA: 1-(888) 816-8584





WARRANTY

MICANAN SYSTEMS warrants that materials and workmanship are free from defects for a period of two years from the date of invoice. Materials returned to Micanan deemed defective after examination will be returned at the option of Micanan with repaired, new or re-manufactured parts.

MICANAN SYSTEMS will not be responsible for any extra charges incurred in the process of returning defective material. All returned material must be received pre-paid or it will not be accepted.

This warranty is limited, and in lieu of all other warranty expressed or implied. There is no expressed liability due on the part of the seller.

HEAD OFFICE

1380 St-Regis | Dorval, Quebec | H9P 2T5 | Canada
TEL: (514) 822-1116
Toll Free: 1-877-888-1116
Fax: (514) 822-1118

PHOENIX

1236 W. Southern Ave. | Suite 104 | Tempe, AZ | USA | 85282
TEL: (480) 557-0070
Toll Free: 1-888-816-8584
Fax: (480) 557-8488

ATLANTA

2885 N. Berkeley Lake Rd. | Suite 7 | Duluth, GA | USA | 30096
TEL: (678) 584-2543
Toll Free: 1-800-798-2543
Fax: (678) 584-2544