



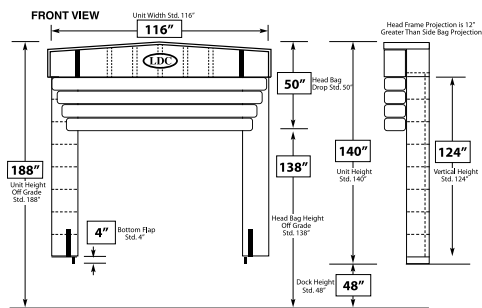
## SERIES D350 Adjustable Inflatable Header Dock Seal

### BENEFITS

- **SAVE** hundreds of dollars in reduced energy costs
- **IMPROVE** working conditions by keeping dust, dirt, debris & insects out
- **PROTECT** product & personnel from harsh weather conditions
- **INCREASE PRODUCTIVITY** by providing a safe & comfortable working environment
- **DURABLE** range of Hi-Performance fabrics to choose from
- **CUSTOM** sizes available



### SPECIFICATIONS

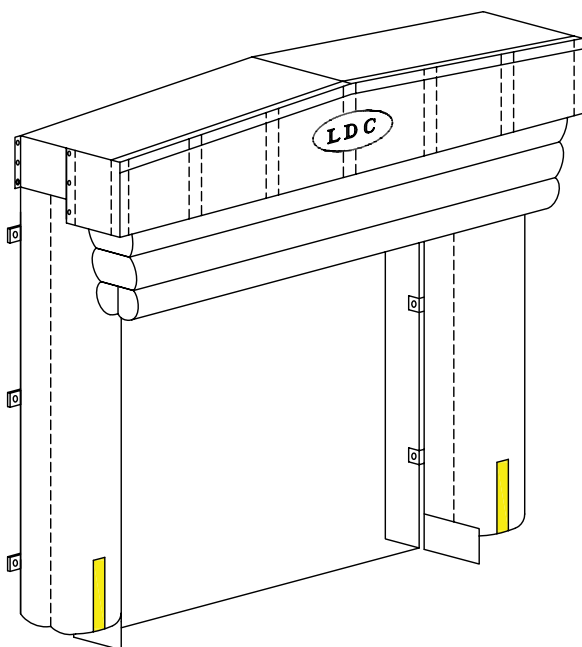
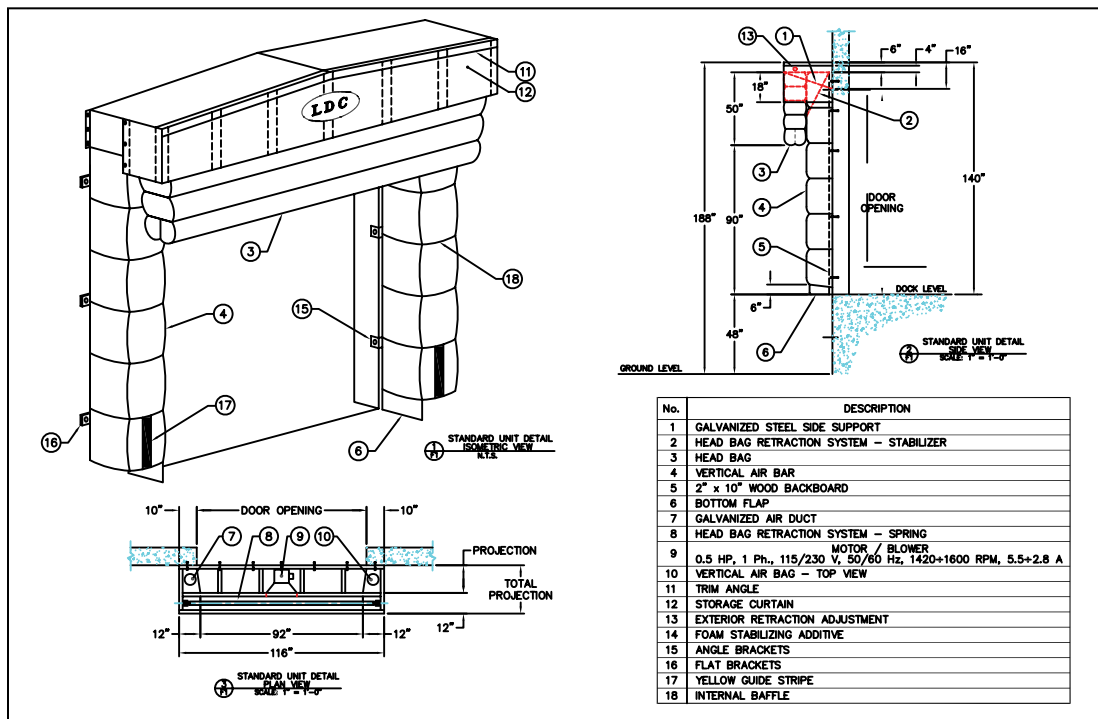


Generally designed to suit 8' wide x 10' high openings. The series D350 service a large variety of trailer heights. This unit minimizes pressure against the building wall from an incoming trailer as the unit is inflated after the trailer has docked.

A unique internal baffle system in the vertical air bags creates a square faced design that increases the contact area against the back of the trailer. An internal retraction spring allows the header air bag to be fully retracted when not in use to prevent damage from incoming trailers.

# LDC offers a wide variety of custom inflatables to satisfy your dock requirements

- Square faced design creates larger contact area against truck
- Pressure treated non-rot wood framing
- 24" yellow guide stripes for accurate truck placement
- Translucent polyethylene sheeting on head frame allows light into dock area
- Internal retraction spring with external adjustment
- Custom sizes and projections available
- Available in 22 oz Hi-Tear Vinyl or rugged 16 oz Hi-Tear Hypalon



Also available is the E350 with bubble design on header and sides

AUTHORIZED DEALER

## CUSTOMIZE YOUR DOCK TO SUIT YOUR SPECIFIC NEEDS



INCLINE APPROACH



BEVELED AIR BAGS  
(Top View—D350 only)



DECLINE APPROACH

LDC can customize your dock seal with the ideal fabric for your application from a wide range of colours and fabrics available.

14 oz Hi-Tear Vinyl



22 oz Hi-Tear Vinyl



32 oz Hi-Tear Vinyl



40 oz Hi-Tear Vinyl



Hi-Performance Arctic Seal



16 oz Hi-Tear Hypalon



40 oz Hi-Performance Hypalon



LOADING DOCK COMPANY (LDC) LTD.

1090 Aerowood Dr., Units 2-4

Mississauga, ON L4W 1Y5

Phone 905.566.0157 Fax 905.566.8003

Toll Free 866.864.5265

[www.loadingdockcompany.com](http://www.loadingdockcompany.com)

